

# Mi-T-M<sup>®</sup> CORPORATION

8650 Enterprise Drive, Peosta IA 52068

563-556-7484 / Fax 563-556-1235

## PARTS LIST FOR

***CW-2405-4ME1/3***

***CW-3004-4ME1/3***

***CW-3006-4ME3***

### Motor Horsepower:

CW-2405/3004-4ME1/3:

7.5HP

CW-3006-4ME3:

15 HP

### Pump Oil Grade:

Mi-T-M Pump Oil #AW-4085-0016

### Pump OIL Capacity:

40.6 oz.

### Nozzle Size:

CW-2405-4ME1/3:

6.0

CW-3004-4ME1/3:

4.0

CW-3006-4ME3:

6.5

This Parts Listing has been compiled for your benefit. You can be assured your Mi-T-M Cold Water Pressure Washer was constructed and designed with quality and performance in mind using over 25 years experience in the pressure washer business. Each component has been rigorously tested to insure the highest level of acceptance.

The contents of this Parts Listing are based on the latest product information available at the time of publication. Mi-T-M reserves the right to make changes in price, color, materials, equipment, specifications or models at any time without notice.

**WARNING**  
 THIS IS A PROFESSIONAL HIGH PRESSURE, COLD WATER PRESSURE WASHER. CAUTION SHOULD BE OBSERVED WHEN USING OR REPAIRING THIS UNIT! READ AND FOLLOW THE SAFETY WARNINGS LISTED BELOW BEFORE ATTEMPTING ANY REPAIRS ON THIS PRESSURE WASHER!

### SAFETY WARNINGS

1. NEVER alter or modify the equipment. Be sure any accessory items and system components being used will withstand the pressure developed. Use only genuine Mi-T-M parts for repair of your pressure washer. Failure to do so can cause hazardous operating conditions and will VOID warranty.
2. NEVER make adjustments on machinery while the unit is connected to the power source. Turning over the machinery by hand during adjustment or cleaning might start the machinery, causing serious injury to the operator.
3. Know how to stop and bleed pressures quickly. Be thoroughly familiar with controls.
4. Before servicing the unit, turn unit off, relieve the water pressure and allow the unit to cool down. Do not make repairs while the unit is running. Service in a clean, dry, flat area.
5. After testing the machine, DO NOT leave the pressurized unit unattended. Shut off the unit and release trapped pressure before leaving.

## Table of Contents

SPECIFICATIONS CW-2405-4ME1&3 .....	3
SPECIFICATIONS CW-3004-4ME1&3 .....	4
SPECIFICATIONS CW-3006-4ME3 .....	5
FRAME ASSEMBLY FOR CW-2405-4ME1/4ME3 .....	6
FRAME ASSEMBLY FOR CW-3004-4ME1/4ME3 .....	8
FRAME ASSEMBLY FOR CW-3006-4ME3 .....	10
PUMP ASSEMBLY (3-0202) .....	12
UNLOADER ASSEMBLY (8-0032) .....	14
GUN ASSEMBLY (16-0001) .....	16
WIRING SCHEMATIC FOR CW-2405/3004-4ME1 (230 VOLT) .....	18
WIRING DIAGRAM FOR CW-2405/3004-4ME1 (230 VOLT) .....	19
WIRING SCHEMATIC FOR CW-2405/3004-4ME3 (230 VOLT) .....	20
WIRING DIAGRAM FOR CW-2405/3004-4ME3 (230 VOLT) .....	21
WIRING SCHEMATIC FOR CW-2405/3004-4ME3 (CX-0003 OPTION) (460 VOLT) .....	22
WIRING DIAGRAM FOR CW-2405/3004-4ME3 (CX-0003 OPTION) (460 VOLT) .....	23
CW-3006-4ME3 CONTROL BOX ASSEMBLY (230 VOLT) .....	24
WIRING SCHEMATIC FOR CW-3006-4ME3 (230 VOLT) .....	26
WIRING DIAGRAM FOR CW-3006-4ME3 (230 VOLT) .....	27
CW-3006-4ME3 CONTROL BOX ASSEMBLY (CX-0057 OPTION) (460 VOLT) .....	28
WIRING SCHEMATIC FOR CW-3006-4ME3 (460 VOLT) .....	30
WIRING DIAGRAM FOR CW-3006-4ME3 (460 VOLT) .....	31

## SPECIFICATIONS CW-2405-4ME1&3

CW-2405-4ME1/3

MODEL NUMBER	CW-2405-4ME1	CW-2405-4ME3
<b>Operating Pressure (PSI/Bar):</b>	2400/165.5	
<b>High Pressure Nozzle:</b>	6.0	
<b>Water Volume (GPM/lpm):</b>	4.6/17.4	
<b>Motor:</b>	Totally enclosed fan cooled, circuit breaker thermal overload protection, 10ft. power supply cord.	
Horsepower	7.5	
Voltage	230	230/460
Phase	Single	Three
Amps	35.7	24.7/11.5
<b>Pump:</b>	Belt Driven, Oil Bath, Triplex Piston	
Oil Type	Mi-T-M Pump Oil #AW-4085-0016	
Oil Capacity (oz./liters)	40.6/1.20	
Plungers	Ceramic	
Manifold	Forged Brass	
Valves	Stainless Steel	
Heat Dump Valve	Relieves heated water during unloader bypass stage.	
Unloader:	Preset	
Detergent Injector	Adjustable low pressure down stream from pump	
<b>Unit Net Weight (lbs/Kg)</b>	347/157.5	270/122.5
<b>Unit Shipping Weight (lbs/Kg)</b>	335/152	257/116.5
<b>Unit Net Dimension (in/cm)</b>	46Lx28Wx30H/117Lx71Wx76H	
<b>Unit Shipping Dimension (in/cm)</b>	49Lx30.5Wx35.5H/124Lx77.5Wx90H	

## SPECIFICATIONS CW-3004-4ME1&3

CW-3004-4ME1/3

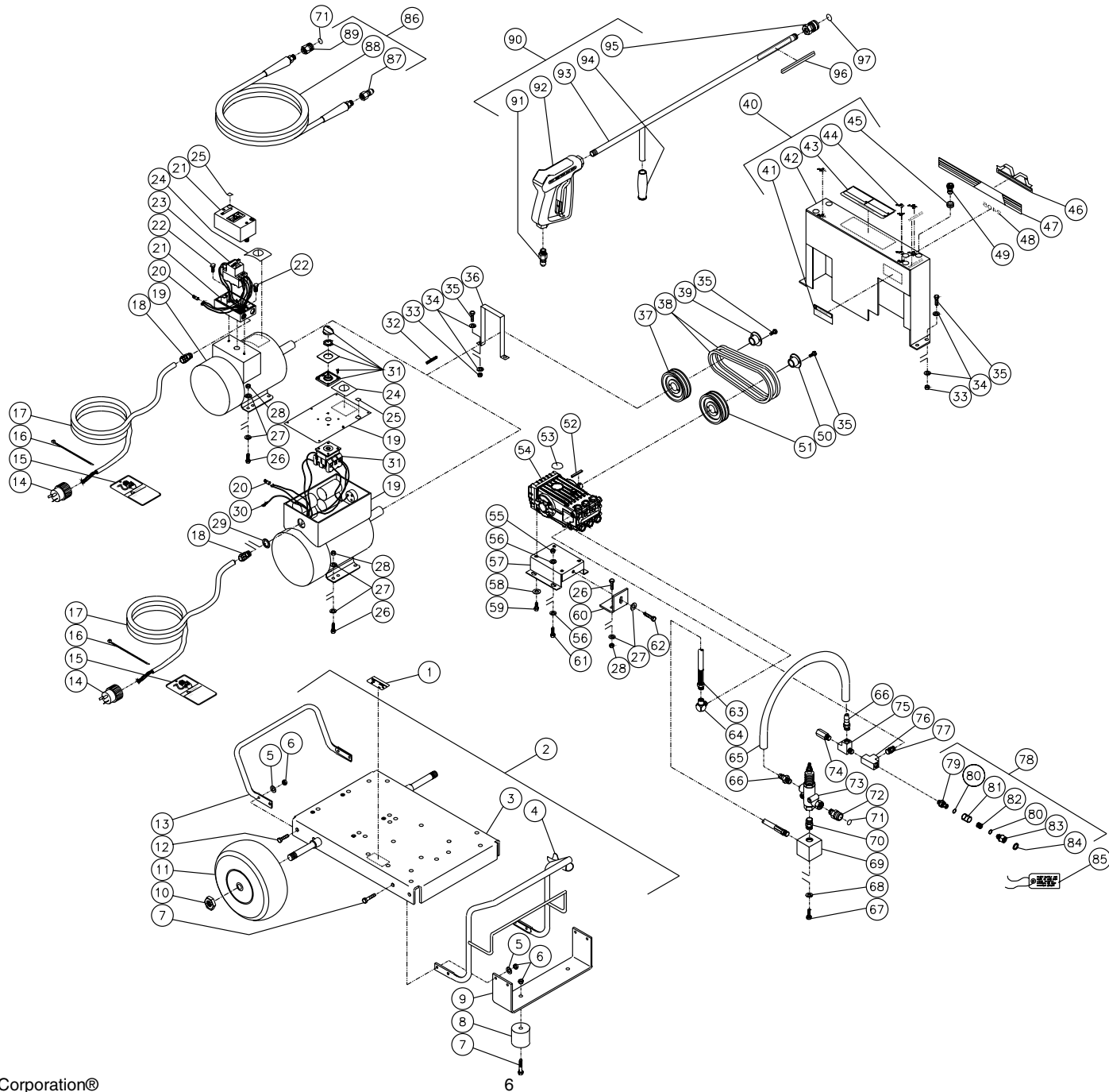
MODEL NUMBER	CW-3004-4ME1	CW-3004-4ME3
<b>Operating Pressure (PSI/Bar):</b>	3000/206.8	
<b>High Pressure Nozzle:</b>	4.0	
<b>Water Volume (GPM/lpm):</b>	3.5/13.2	
<b>Motor:</b>	Totally enclosed fan cooled, circuit breaker thermal overload protection, 10ft. power supply cord.	
Horsepower	7.5	
Voltage	230	230/460
Phase	Single	Three
Amps	35	23/11.5
<b>Pump:</b>	Belt Driven, Oil Bath, Triplex Piston	
Oil Type	Mi-T-M Pump Oil #AW-4085-0016	
Oil Capacity (oz./liters)	40.6/1.20	
Plungers	Ceramic	
Manifold	Forged Brass	
Valves	Stainless Steel	
Heat Dump Valve	Relieves heated water during unloader bypass stage.	
Unloader:	Preset	
Detergent Injector	Adjustable low pressure down stream from pump	
<b>Unit Net Weight (lbs/Kg)</b>	347/157.5	270/122.5
<b>Unit Shipping Weight (lbs/Kg)</b>	335/152	257/116.5
<b>Unit Net Dimension (in/cm)</b>	46Lx28Wx30H/117Lx71Wx76H	
<b>Unit Shipping Dimension (in/cm)</b>	49Lx30.5Wx35.5H/124Lx77.5Wx90H	

## SPECIFICATIONS CW-3006-4ME3

CW-3006-4ME3

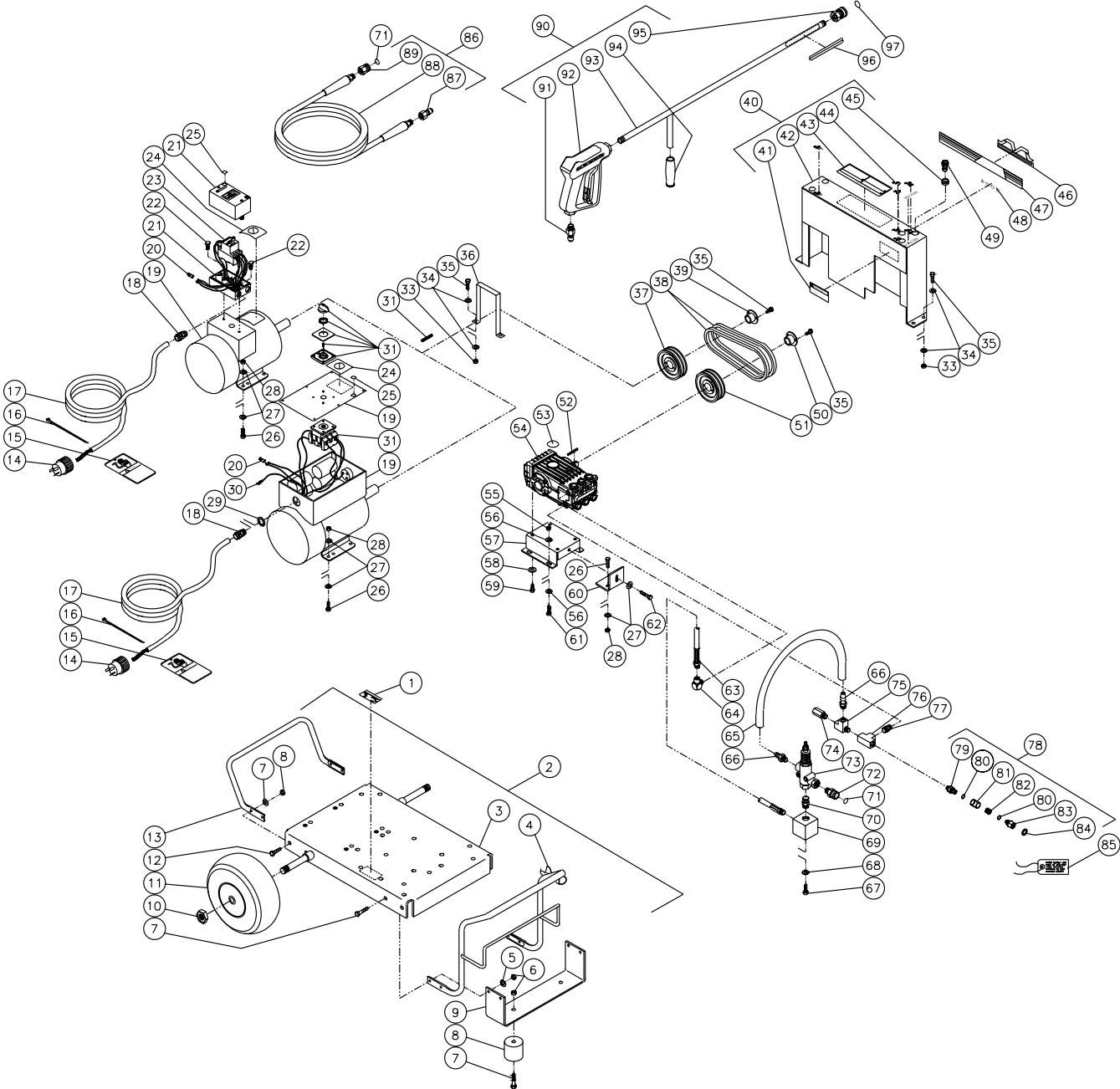
MODEL NUMBER	CW-3006-4ME3
<b>Operating Pressure (PSI/Bar):</b>	3000/206.8
<b>High Pressure Nozzle:</b>	6.5
<b>Water Volume (GPM/lpm):</b>	5.7/21.6
<b>Motor:</b>	Totally enclosed fan cooled, circuit breaker thermal overload protection, 10ft. power supply cord.
Horsepower	15.0
Voltage	230/480
Phase	Three
Amps	40/20
<b>Pump:</b>	Belt Driven, Oil Bath, Triplex Piston
Oil Type	Mi-T-M Pump Oil #AW-4085-0016
Oil Capacity (oz./liters)	40.6/1.2
Plungers	Ceramic Coated
Manifold	Forged Brass
Valves	Stainless Steel
Unloader	Preset
Heat Dump Valve	Relieves heated water during unloader bypass stage
<b>Unit Net Weight w/Marathon (lbs/Kg)</b>	370/168
<b>Unit Shipping Weight w/Marathon (lbs/Kg)</b>	511/232
<b>Unit Net Weight w/Baldor (lbs/Kg)</b>	415/188
<b>Unit Shipping Weight w/Baldor (lbs/Kg)</b>	556/252
<b>Unit Net Dimension (in/cm)</b>	45.5Lx32.5Wx30H/115.5Lx82.5Wx76.5H
<b>Unit Shipping Dimension (in/cm)</b>	48.5Lx30.5Wx35.5H/123Lx77.5Wx90H

# FRAME ASSEMBLY FOR CW-2405-4ME1/4ME3



FRAME ASSEMBLY FOR CW-2405-4ME1/4ME3											
REF #	DESCRIPTION	PART #	QTY	REF #	DESCRIPTION	PART #	QTY	REF #	DESCRIPTION	PART #	QTY
1	Decal- Data Plate	N/A	1	31	Switch (CW-3004-4ME1)	32-0301	1	62	Bolt	27-0576	1
2	Base Plate Assembly (Inc. 3-13)	851-0187	1	32	Key	43-0078	1	63	Hose	15-0024	1
3	Base Plate	5-0089A01	1	33	Locknut (CW-2405-4ME1)	30-0155	6	64	Elbow	24-0105	1
4	Handle- Front	7-0102A01	1	-	Locknut (CW-2405-4ME3)	30-0155	4	65	By-Pass Hose	15-0035	1
5	Washer	28-0003	8	34	Washer (CW-2405-4ME1)	28-0002	12	66	Hose Barb	23-0007	2
6	Locknut	30-0157	10	-	Washer (CW-2405-4ME3)	28-0002	8	67	Bolt	27-0116	2
7	Bolt	27-0068	6	35	Bolt (CW-2405-4ME1)	27-0015	6	68	Washer	29-0008	2
8	Isolator	14-0008	2	-	Bolt (CW-2405-4ME3)	27-0015	4	69	Manifold Block	51-0012	1
9	Underbracket	13-0015A01	1	36	Fingerguard (CW-2405-4ME1)	6-0054A01	1	70	Hex Nipple	24-0031	1
10	Jamnut	30-0117	2	37	Sheave	10-0041	1	71	O-ring (Replacement Only)	25-0123	-
11	Wheel	14-0006	2	38	Belt	11-0017	2	72	Quick Connect Socket	17-0029	1
12	Bolt	27-0067	4	39	Bushing	9-0008	1	73	Unloader	8-0032	1
13	Handle- Rear	7-0105A01	1	40	Beltguard Assembly (Inc. 41-45)	851-0280	1	74	Heat Dump Valve	22-0005	1
14	Plug- 250V (CW-2405-4ME1)	32-0012	1	41	Decal- Caution: High Pressure Spray	34-0080	1	75	Street Tee	23-0124	1
-	Plug- 250V (CW-2405-4ME3)	32-0037	1	42	Beltguard (See 851-0280)	N/A Sep.	1	76	Tee	23-0043	1
-	Plug- 480V (CX-0003) (CW-2405-4ME3)	32-0117	1	43	Decal- Warn/Caut/Oper.	34-0925	1	77	Hex Nipple	23-0012	1
15	Tag- Risk of Electrocutation	34-0330	1	44	Decal- Die Cut	34-0500	1	78	Filter Assembly (Inc. 79-84)	19-0206	1
16	Cable Tie	33-0022	1	45	Grommet	33-0001	5	79	Filter Outlet-NPT (See 19-0206)	N/A Sep.	1
17	Cord- 250V *(Ten Feet Required) (CW-2405-4ME1)	32-0021	1	46	Decal- Mi-T-M Logo	62-0086	1	80	O-Ring	25-0517	1
-	Cord- 250V *(Ten Feet Required) (CW-2405-4ME3)	32-0023	1	47	Decal- Mi-T-M Stripe	34-0501	1	81	Sight Glass	19-0208	1
-	Cord- 480V *(Ten Feet Required) (CX-0003) (CW-2405-4ME3)	32-0025	1	48	Decal- Die Cut 2405	34-0035	1	82	Screen-Strainer	19-0209	1
18	Cord Strain Relief (CW-2405-4ME1)	32-0040	1	49	Spray Nozzle- 0006	18-0013	1	83	Filter Inlet-Garden Hose (See 19-0206)	N/A Sep.	1
-	Cord Strain Relief (CW-2405-4ME3)	32-0013	1	-	Spray Nozzle- 1506	18-0014	1	84	Garden Hose Gasket	26-0001	1
19	Motor- 7.5 H.P. (CW-2405-4ME1)	2-0013	1	-	Spray Nozzle- 2506	18-0043	1	85	Tag - Water Supply Inlet	34-0097	1
-	Motor- 7.5 H.P. (CW-2405-4ME3)	2-0093	1	-	Spray Nozzle- 4006	18-0044	1	86	Pressure Hose Assembly (Inc. 87-89)	851-0007	1
20	Crimped Wire Splice	32-0359	1	50	Bushing	9-0017	1	87	Quick Connect Plug	17-0006	1
21	Starter Enclosure (CW-2405-4ME3)	32-0293	1	51	Sheave	10-0035	1	88	Pressure Hose	15-0003	1
22	Bolt (CW-2405-4ME3)	27-0018	2	52	Key w/Pump	43-0028	1	89	Quick Connect Socket	17-0004	1
23	Starter- 240V (CW-2405-4ME3)	32-0298	1	53	Decal- Pump ID #	N/A	1	90	Gun/Wand Assembly (Inc. 91-95)	851-0095	1
-	Starter- 480V (CX-0003) (CW-2405-4ME3)	32-0297	1	54	Pump	3-0202	1	91	Quick Connect Plug	17-0005	1
24	Decal- Do Not Spay	34-0391	1	55	Locknut	30-0161	4	92	Gun	16-0001	1
25	Decal- Void if Removed	34-0085	1	56	Washer	28-0030	8	93	Wand w/ 36" Handle	16-0120A01	1
26	Bolt	27-0118	6	57	Pump Bracket	5-0101A01	1	94	Grip Handle	7-0002	1
27	Washer	28-0023	11	58	Washer w/Pump	29-0054	4	95	Quick Connect Socket	17-0001	1
28	Locknut	30-0159	6	59	Bolt w/Pump	27-8042	4	96	Decal- Warning: Risk of Injection	34-0572	1
29	Locknut (CW-3004-4ME1)	32-0292	1	60	Brace Tightener	13-0003A01	1	97	O-ring (Replacement Only)	25-0122	-
30	Terminal (CW-3004-4ME1)	32-0034	1	61	Bolt	27-0166	4	*Must Order in One Foot Lengths			

# FRAME ASSEMBLY FOR CW-3004-4ME1/4ME3



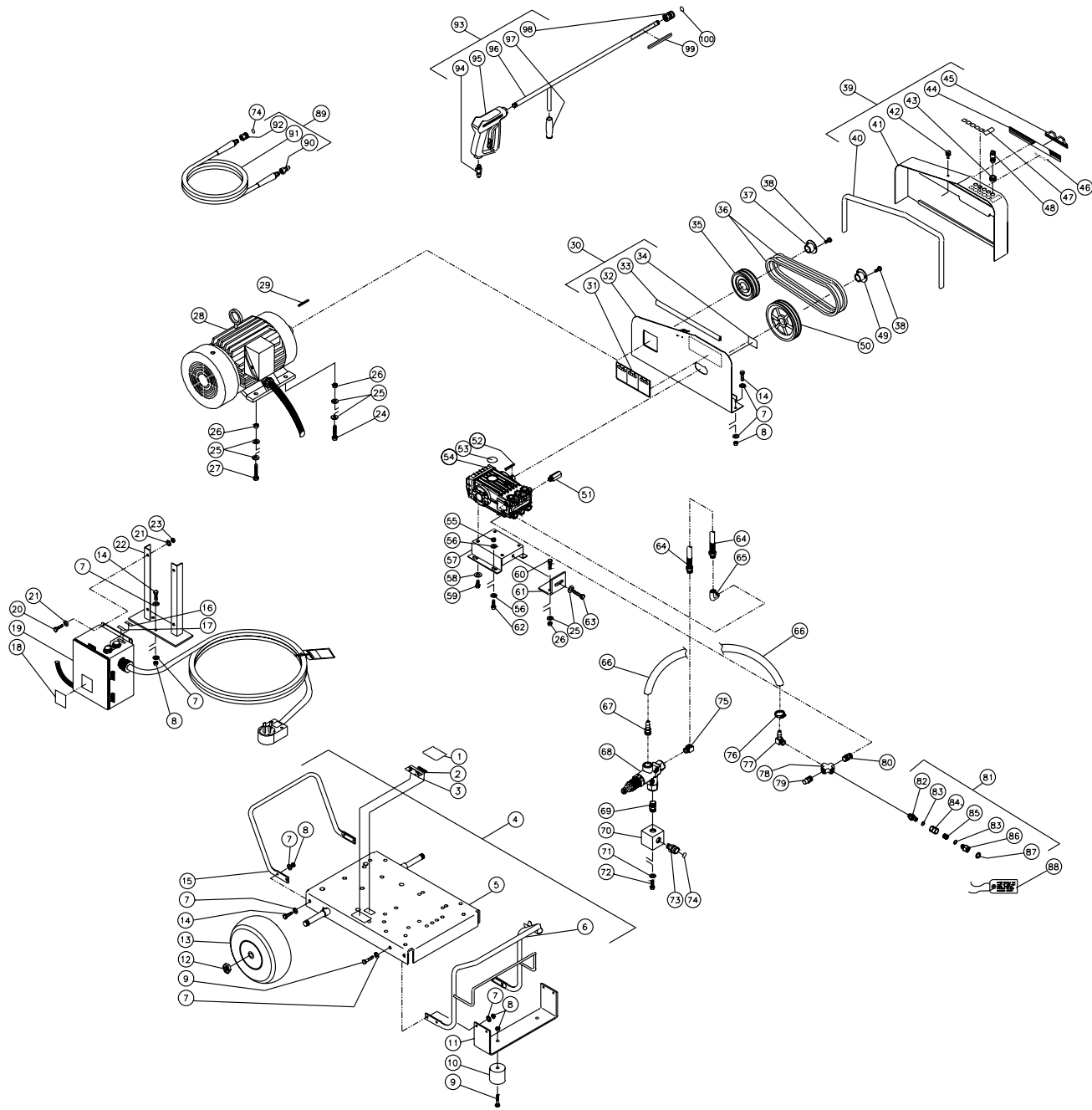
CW-3004-4ME1&3-102401-RD



FRAME ASSEMBLY FOR CW-3004-4ME1/4ME3											
REF #	DESCRIPTION	PART #	QTY	REF #	DESCRIPTION	PART #	QTY	REF #	DESCRIPTION	PART #	QTY
1	Decal- Data Plate	N/A	1	31	Switch (CW-3004-4ME1)	32-0301	1	62	Bolt	27-0576	1
2	Base Plate Assembly (Inc. 3-13)	851-0187	1	32	Key	43-0078	1	63	Hose	15-0024	1
3	Base Plate	5-0089A01	1	33	Locknut (CW-3004-4ME1)	30-0155	6	64	Elbow	24-0105	1
4	Handle- Front	7-0102A01	1	-	Locknut (CW-3004-4ME3)	30-0155	4	65	By-Pass Hose	15-0035	1
5	Washer	28-0003	8	34	Washer (CW-3004-4ME1)	28-0002	12	66	Hose Barb	23-0007	2
6	Locknut	30-0157	10	-	Washer (CW-3004-4ME3)	28-0002	8	67	Bolt	27-0116	2
7	Bolt	27-0068	6	35	Bolt (CW-3004-4ME1)	27-0015	6	68	Washer	29-0008	2
8	Isolator	14-0008	2	-	Bolt (CW-3004-4ME3)	27-0015	4	69	Manifold Block	51-0012	1
9	Underbracket	13-0015A01	1	36	Fingerguard (CW-3004-4ME1)	6-0054A01	1	70	Hex Nipple	24-0031	1
10	Jamnut	30-0117	2	37	Sheave	10-0025	1	71	O-ring (Replacement Only)	25-0123	-
11	Wheel	14-0006	2	38	Belt	11-0005	2	72	Quick Connect Socket	17-0029	1
12	Bolt	27-0067	4	39	Bushing	9-0008	1	73	Unloader	8-0032	1
13	Handle- Rear	7-0105A01	1	40	Beltguard Assembly (Inc. 41-45)	851-0280	1	74	Heat Dump Valve	22-0005	1
14	Plug- 250V (CW-3004-4ME1)	32-0012	1	41	Decal- Caution: High Pressure Spray	34-0080	1	75	Street Tee	23-0124	1
-	Plug- 250V (CW-3004-4ME3)	32-0037	1	42	Beltguard (See 851-0280)	N/A Sep.	1	76	Tee	23-0043	1
-	Plug- 480V (CX-0003) (CW-3004-4ME3)	32-0117	1	43	Decal- Warn/Caut/Oper.	34-0925	1	77	Hex Nipple	23-0012	1
15	Tag- Risk of Electrocution	34-0330	1	44	Decal- Die Cut	34-0500	1	78	Filter Assembly (Inc. 79-84)	19-0206	1
16	Cable Tie	33-0022	1	45	Grommet	33-0001	5	79	Filter Outlet-NPT (See 19-0206)	N/A Sep.	1
17	Cord- 250V *(Ten Feet Required) (CW-3004-4ME1)	32-0021	1	46	Decal- Mi-T-M Logo	62-0086	1	80	O-Ring	25-0517	1
-	Cord- 250V *(Ten Feet Required) (CW-3004-4ME3)	32-0023	1	47	Decal- Mi-T-M Stripe	34-0501	1	81	Sight Glass	19-0208	1
-	Cord- 480V *(Ten Feet Required) (CX-0003) (CW-3004-4ME3)	32-0025	1	48	Decal- Die Cut 3004	34-0105	1	82	Screen-Strainer	19-0209	1
18	Cord Strain Relief (CW-3004-4ME1)	32-0040	1	49	Spray Nozzle- 0004	18-0028	1	83	Filter Inlet-Garden Hose (See 19-0206)	N/A Sep.	1
-	Cord Strain Relief (CW-3004-4ME3)	32-0013	1	-	Spray Nozzle- 1504	18-0029	1	84	Garden Hose Gasket	26-0001	1
19	Motor- 7.5 H.P. (CW-3004-4ME1)	2-0013	1	-	Spray Nozzle- 2504	18-0030	1	85	Tag - Water Supply Inlet	34-0097	1
-	Motor- 7.5 H.P. (CW-3004-4ME3)	2-0093	1	-	Spray Nozzle- 4004	18-0031	1	86	Pressure Hose Assembly (Inc. 87-89)	851-0007	1
20	Crimped Wire Splice	32-0359	1	50	Bushing	9-0017	1	87	Quick Connect Plug	17-0006	1
21	Starter Enclosure (CW-3004-4ME3)	32-0293	1	51	Sheave	10-0035	1	88	Pressure Hose	15-0003	1
22	Bolt (CW-3004-4ME3)	27-0018	2	52	Key w/Pump	43-0048	1	89	Quick Connect Socket	17-0004	1
23	Starter- 240V (CW-3004-4ME3)	32-0298	1	53	Decal- Pump ID #	N/A	1	90	Gun/Wand Assembly (Inc. 91-95)	851-0095	1
-	Starter- 480V (CX-0003) (CW-3004-4ME3)	32-0297	1	54	Pump	3-0202	1	91	Quick Connect Plug	17-0005	1
24	Decal- Do Not Spay	34-0391	1	55	Locknut	30-0161	4	92	Gun	16-0001	1
25	Decal- Void if Removed	34-0085	1	56	Washer	28-0030	8	93	Wand w/ 36" Handle	16-0120A01	1
26	Bolt	27-0118	6	57	Pump Bracket	5-0101A01	1	94	Grip Handle	7-0002	1
27	Washer	28-0023	11	58	Washer w/Pump	29-0054	4	95	Quick Connect Socket	17-0001	1
28	Locknut	30-0159	6	59	Bolt w/Pump	27-8042	4	96	Decal- Warning: Risk of Injection	34-0572	1
29	Locknut (CW-3004-4ME1)	32-0292	1	60	Brace Tightener	13-0003A01	1	97	O-ring (Replacement Only)	25-0122	-
30	Terminal (CW-3004-4ME1)	32-0034	1	61	Bolt	27-0166	4				

\*Must Order in One Foot Lengths

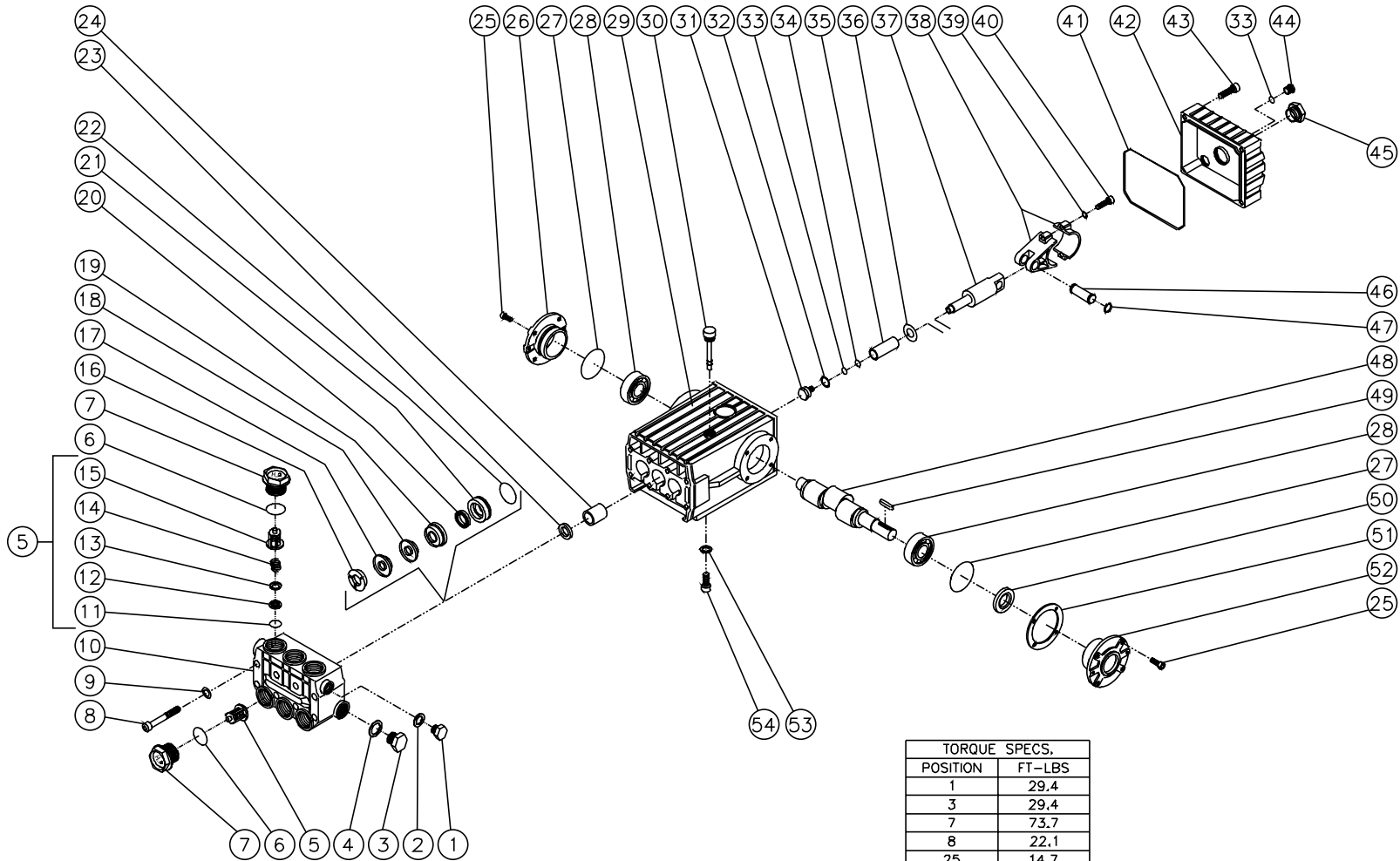
# FRAME ASSEMBLY FOR CW-3006-4ME3



FRAME ASSEMBLY FOR CW-3006-4ME3											
REF. #	DESCRIPTION	PART #	QTY.	REF. #	DESCRIPTION	PART #	QTY.	REF. #	DESCRIPTION	PART #	QTY.
1	Decal- Clear Laminate	N/A	1	35	Sheave	10-0106	1	67	Fitting	23-0007	1
2	Decal- Serial Number	N/A	1	36	Belt	11-0047	2	68	Unloader	8-0032	1
3	Decal- Data Plate	N/A	1	37	Bushing	9-0072	1	69	Fitting	24-0031	1
4	Base Plate Assembly (Inc. 5-15)	851-0333	1	38	Bolt W/Bushing	27-0068	4	70	Manifold Block	51-0012	1
5	Base Plate	5-0137A01	1	39	Beltguard Cover Assembly (Inc. 40-45)	850-0242	1	71	Washer	29-0008	2
6	Handle	7-0102A01	1	40	Edging *(Four Feet Required)	33-0020	1	72	Bolt	27-0116	2
7	Washer	28-0003	30	41	Beltguard Cover (See 8510-0242)	N/A Sep.	1	73	Quick Connect Socket	17-0029	1
8	Locknut	30-0157	17	42	Fastener	33-0197	1	74	O-ring (Replacement Only)	25-0123	-
9	Bolt	27-0068	6	43	Gromment	33-0001	5	75	Fitting	24-0006	1
10	Isolator	14-0008	2	44	Decal-Mi-T-M Stripe	34-0501	1	76	Hose Clamp	42-0003	1
11	Underbracket	13-0015A01	1	45	Decal-Mi-T-M Logo	62-0087	1	77	Fitting	23-0037	1
12	Jamnut	30-0117	2	46	Decal-White Die Cut 3006	34-0104	1	78	Cross Fitting	23-0071	1
13	Wheel	14-0006	2	47	Decal-Nozzles	34-0500	1	79	Heat-Dump Valve	22-0005	1
14	Bolt	27-0067	11	48	Spray Nozzle- 0006.5	18-0328	1	80	Fitting	23-0012	1
15	Handle	7-0105A01	1	-	Spray Nozzle- 1506.5	18-0329	1	81	Filter Assembly (inc.82-87)	19-0206	1
16	Decal- Stop	34-0249	1	-	Spray Nozzle- 2506.5	18-0330	1	82	Filter Outlet-NPT (See 19-206)	N/A Sep.	1
17	Decal- Run	34-0250	1	-	Spray Nozzle- 4006.5	18-0331	1	83	O-ring	25-0517	1
18	Decal- Do not Spray	34-0391	1	49	Bushing	9-0073	1	84	Sight Glass	19-0208	1
19	Control Box - 230V (See Exploded Drawing)	N/A Sep.	1	50	Sheave	10-0107	1	85	Screen-Strainer	19-0209	1
-	Control Box - 480V (See Exploded Drawing)	N/A Sep.	1	51	Valve-Safety Relief	22-0319	1	86	Filter Inlet-Garden Hose (See 19-0206)	N/A Sep.	1
20	Bolt	27-0015	4	52	Key-W/Pump	43-0048	1	87	Garden Hose Gasket	26-0001	1
21	Washer	28-0002	8	53	Decal-Pump I.D.	N/A	1	88	Tag- Water Supply Inlet	34-0097	1
22	Bracket	13-0127A01	1	54	Pump	3-0202	1	89	Pressure Hose Assembly (Inc. 90-92)	851-0007	1
23	Locknut	30-0155	4	55	Locknut	30-0161	4	90	Quick Connect Plug	17-0006	1
24	Bolt	27-0120	2	56	Washer	28-0030	8	91	Pressure Hose	15-0003	1
25	Washer	28-0023	11	57	Pump Bracket	5-0101A01	1	92	Quick Connect Socket	17-0004	1
26	Locknut	30-0159	6	57	Washer-W/Pump	29-0054	4	93	Gun/Wand Assembly (Inc. 94-98)	851-0095	1
27	Bolt	27-0119	2	59	Bolt-W/Pump	27-8042	4	94	Quick Connect Plug	17-0005	1
28	Motor- 15 H.P.	2-0018	1	60	Bolt	27-0118	2	95	Gun	16-0001	1
29	Key	43-0078	1	61	Brace Tightener	13-0003A01	1	96	Wand- w/ 36" Handle	16-0120A01	1
30	Beltguard Back Assembly (Inc.31-34)	851-0335	1	62	Bolt	27-0166	4	97	Grip Handle	7-0002	1
31	Decal-Caution/Warning/Operating Inst.	34-0925	1	63	Bolt	27-0576	1	98	Quick Connect Socket	17-0001	1
32	Beltguard Back (See 851-0335)	N/A Sep.	1	64	Hose	15-0024	1	99	Decal- Risk of Injection	34-0572	1
33	Edging *(Two Feet Required)	33-0020	1	65	Fitting	24-0105	1	100	O-ring (Replacement Only)	25-0122	-
34	Decal-Warning Beltguard Cover	34-0575	1	66	By-Pass Hose *(Two Feet Required)	15-0035	1				

\*Must Order in One Foot Lengths

# PUMP ASSEMBLY (3-0202)



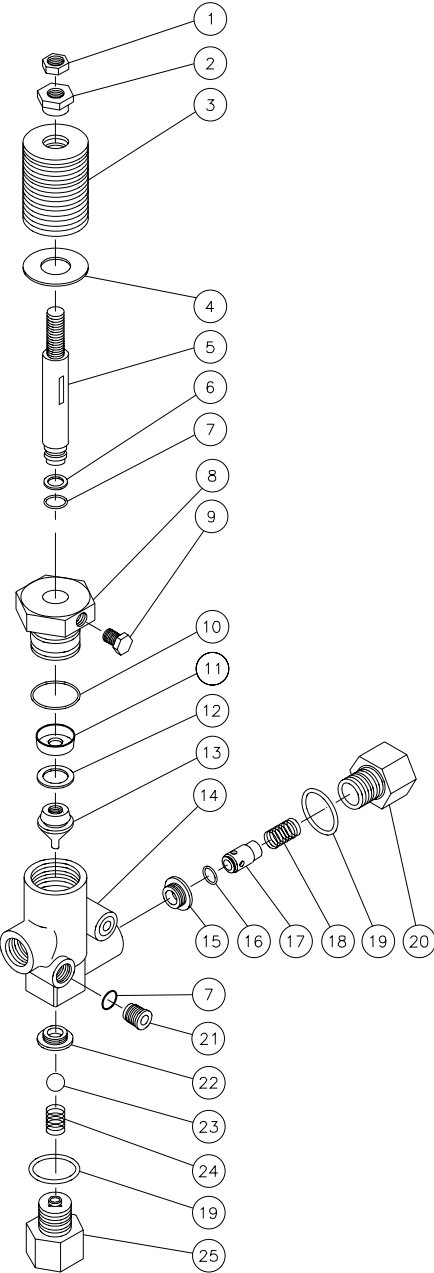
TORQUE SPECS.	
POSITION	FT-LBS
1	29,4
3	29,4
7	73,7
8	22,1
25	14,7
31	14,7
40	14,7
43	7,3
44	14,7
45	14,7
54	29,4

3-0202-092001-EDW

## PUMP ASSEMBLY (3-0202)

REF. #	DESCRIPTION	PART #	QTY.	REF. #	DESCRIPTION	PART #	QTY.	REF. #	DESCRIPTION	PART #	QTY.
1	Plug	39-0018	1	21	Low Pressure Seal Retainer	46-0887	3	41	O-ring Cover	25-0339	1
2	Washer	28-1002	1	22	O-ring	25-0015	3	42	Crankcase Cover	46-0295	1
3	Plug	39-0019	1	23	Oil Seal	26-0047	3	43	Bolt	27-8404	5
4	Washer	28-1038	1	24	Bushing	9-0029	3	44	Plug	39-0017	1
5	Valve Assembly (Inc. 11-15) (See 70-0009)	N/A Sep.	6	25	Bolt	27-8431	8	45	Oil Level Indicator	46-0114	1
6	O-ring	25-0012	6	26	Crankcase Cover	46-0336	1	46	Connecting Rod Pin	43-0032	3
7	Valve Plug	46-0889	6	27	O-ring	25-0013	2	47	Retaining Ring	46-0103	6
8	Bolt	27-8185	8	28	Bearing	48-0012	2	48	Crankshaft	46-0050	1
9	Flatwasher	28-1039	8	29	Crankcase	46-0292	1	49	Key	43-0048	1
10	Manifold	46-0890	1	30	Oil Dip Stick	46-0144	1	50	Oil Seal	26-0049	1
11	O-ring (See 70-0009)	N/A Sep.	6	31	Bolt	46-0069	3	51	Shim	46-0113	1
12	Valve Seat (See 70-0009)	N/A Sep.	6	32	Gasket	28-0400	3	52	Crankcase Open Cover	46-0296	1
13	Valve Plate (See 70-0009)	N/A Sep.	6	33	O-ring	25-0014	4	53	Lockwasher	29-0055	4
14	Valve Spring (See 70-0009)	N/A Sep.	6	34	Back-up Ring	46-0109	3	54	Bolt	27-8471	4
15	Valve Cage (See 70-0009)	N/A Sep.	6	35	Plunger	46-0052	3		Valve Assembly (6 each 5, 11-15)	70-0009	
16	High Pressure Head Ring (See 70-0030)	N/A Sep.	3	36	Washer	46-0146	3		Head Ring Kit (3 each 16)	70-0030	
17	High Pressure V-Packing (See 70-0299)	N/A Sep.	3	37	Piston Rod	46-0056	3		V-Packing Kit (3 each 17, 18, 20)	70-0299	
18	V-Packing Support (See 70-0299)	N/A Sep.	3	38	Connecting Rod	46-0051	3		Intermediate Retainer Kit (3 each 18, 19)	70-0148	
19	High Pressure Intermediate Seal Retainer	46-0659	3	39	Lockwasher	29-0154	6		Low Pressure Seal Kit (3 each 20-22)	70-0298	
20	Low Pressure Seal	46-0886	3	40	Bolt	27-8435	6		V-Packing Assembly (Inc. 16-22)	70-0300	

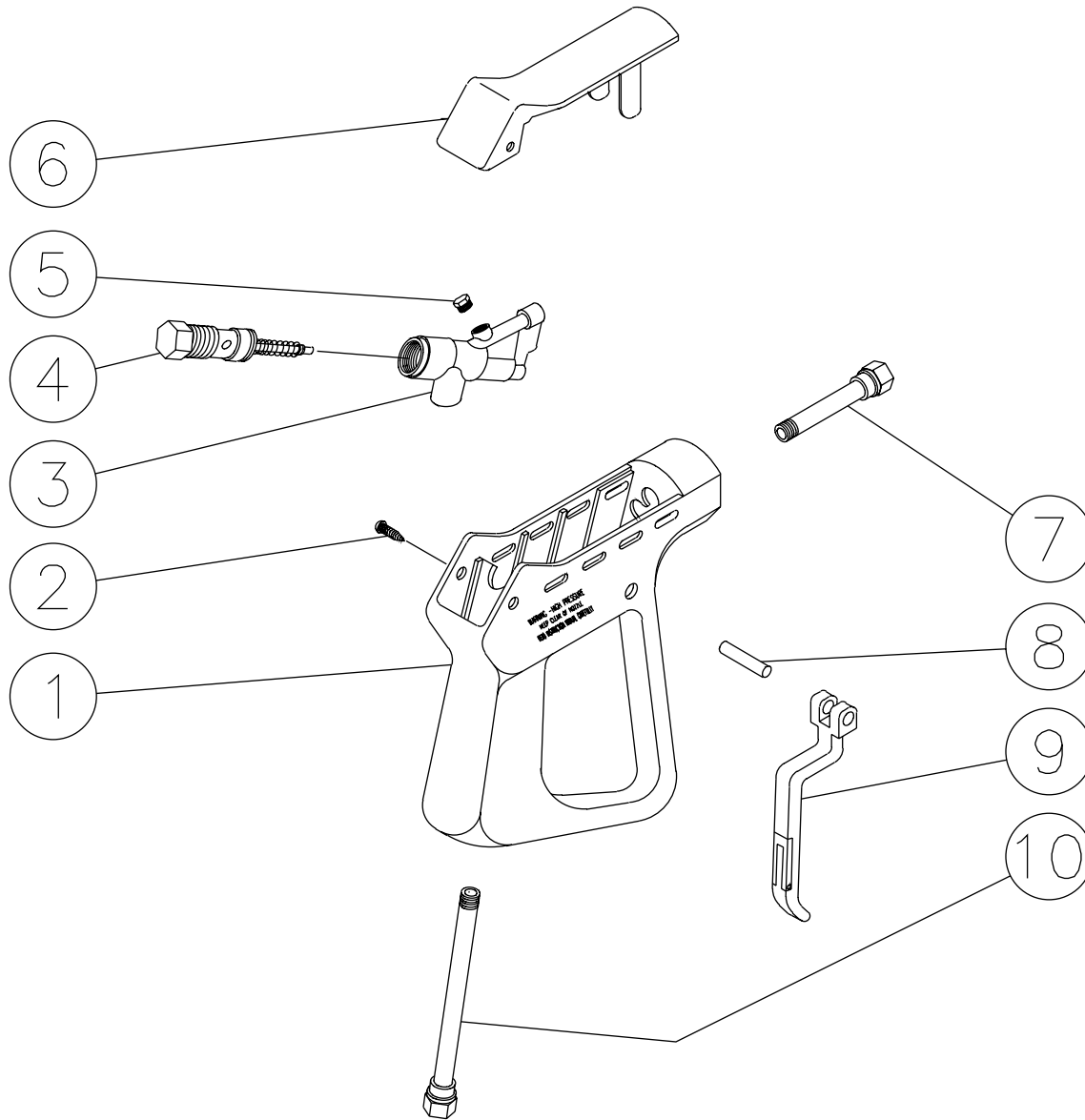
# UNLOADER ASSEMBLY (8-0032)



OMGEN074-083094-BAR

UNLOADER ASSEMBLY (8-0032)			
REF.#	DESCRIPTION	PART #	QTY.
1	Locknut	30-3058	1
2	Adjusting Nut	8-0089	1
3	Spring Washers - Orange	8-0009	15
4	Washer	28-0250	1
5	Valve Stem	8-0037	1
6	Backup Ring	8-0038	1
7	O-ring	25-0009	5
8	Valve Cap	8-0036	1
9	Set Screw	8-0084	1
10	O-ring	25-0008	1
11	Cup	8-0034	1
12	Back-up Ring	8-0040	1
13	Piston	8-0039	1
14	Valve Body	8-0164	1
15	Outlet Seat	8-0006	1
16	O-ring	25-0011	1
17	Outlet Valve	8-0004	1
18	Spring	49-0016	1
19	O-ring	25-0010	2
20	Outlet Retainer	8-0003	1
21	Brass Plug	8-0011	4
22	Valve Seat	8-0005	1
23	Ball	8-0041	1
24	Spring	49-0015	1
25	Inlet Retainer	8-0165	1
	Unloader Repair Kit (Inc. 6, 7, 10-12, 16 and 19)	70-0044	

# GUN ASSEMBLY (16-0001)

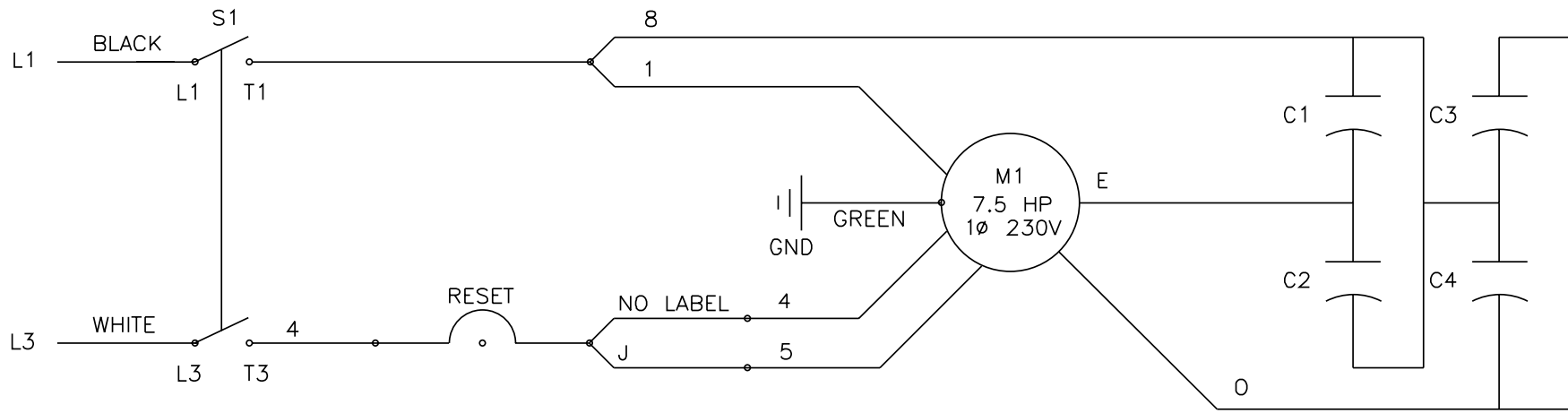


16-0001-110399-RD

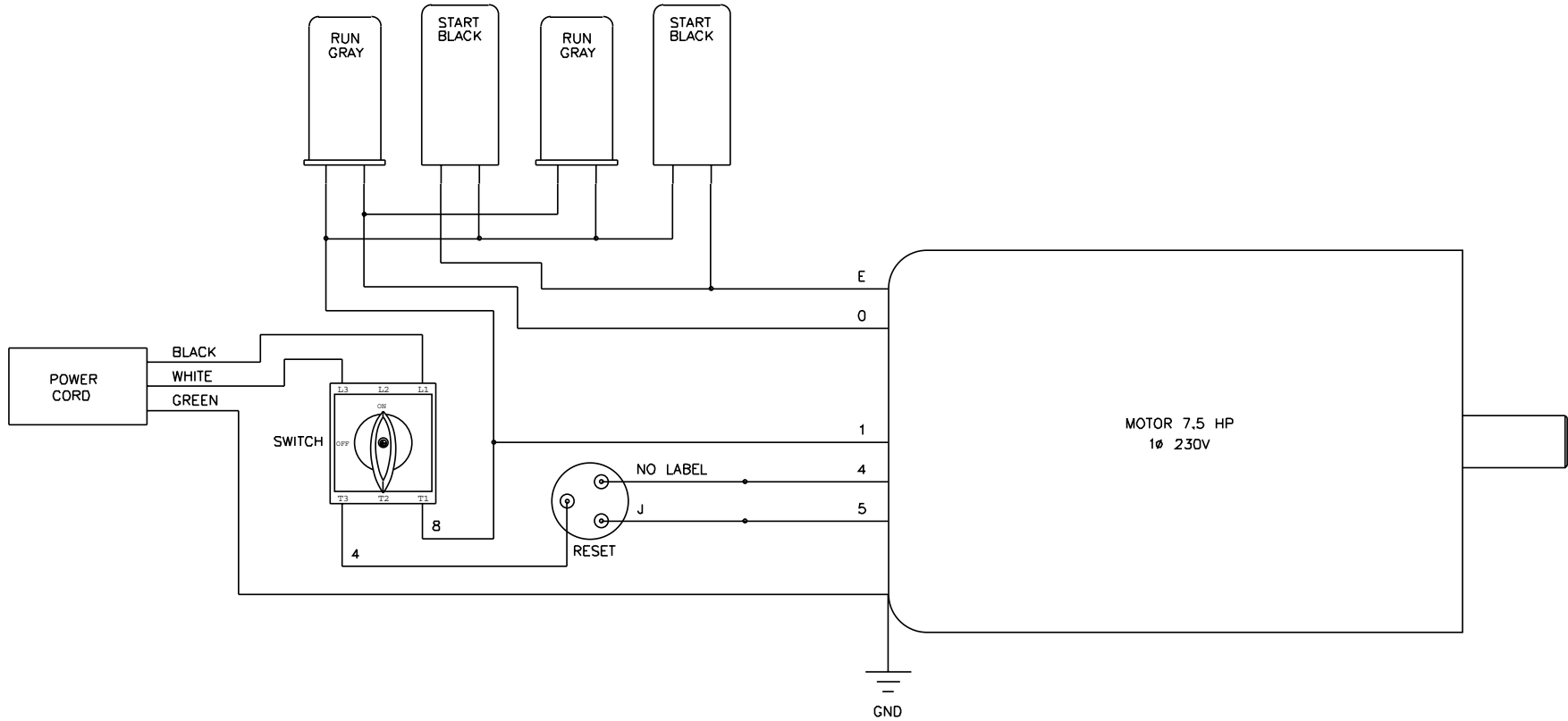


<b>GUN ASSEMBLY (16-0001)</b>			
<b>REF. #</b>	<b>DESCRIPTION</b>	<b>PART #</b>	<b>QTY.</b>
1	Plastic Housing	16-0008	1
2	Screw	27-3230	2
3	Brass Housing	16-0012	1
4	Gun Repair Kit	70-0055	1
5	Brass Plug	39-0024	1
6	Plastic Cover	16-0009	1
7	Pipe Assembly	16-0013	1
8	Trigger Pin	16-0063	1
9	Trigger/Safety Lock-off	16-0010	1
10	Pipe Assembly- Inlet	16-0016	1
	Complete Gun Assembly	16-0001	1

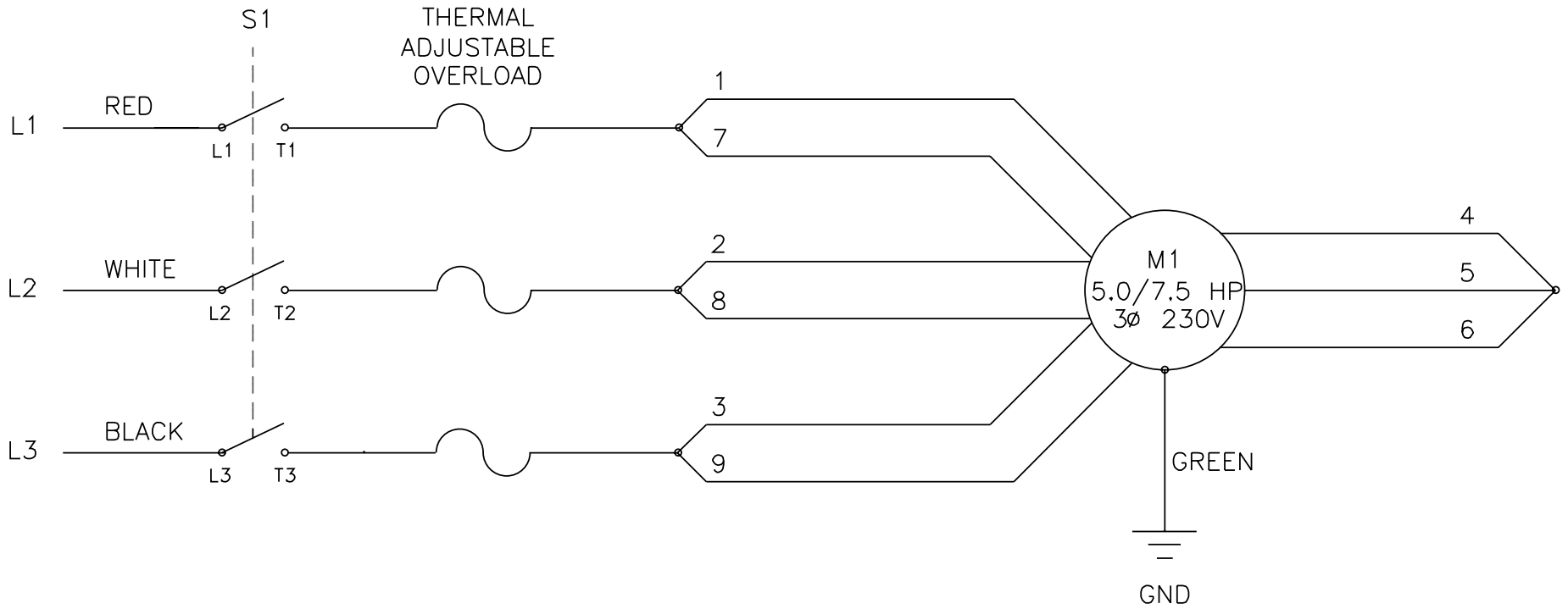
# WIRING SCHEMATIC FOR CW-2405/3004-4ME1 (230 VOLT)



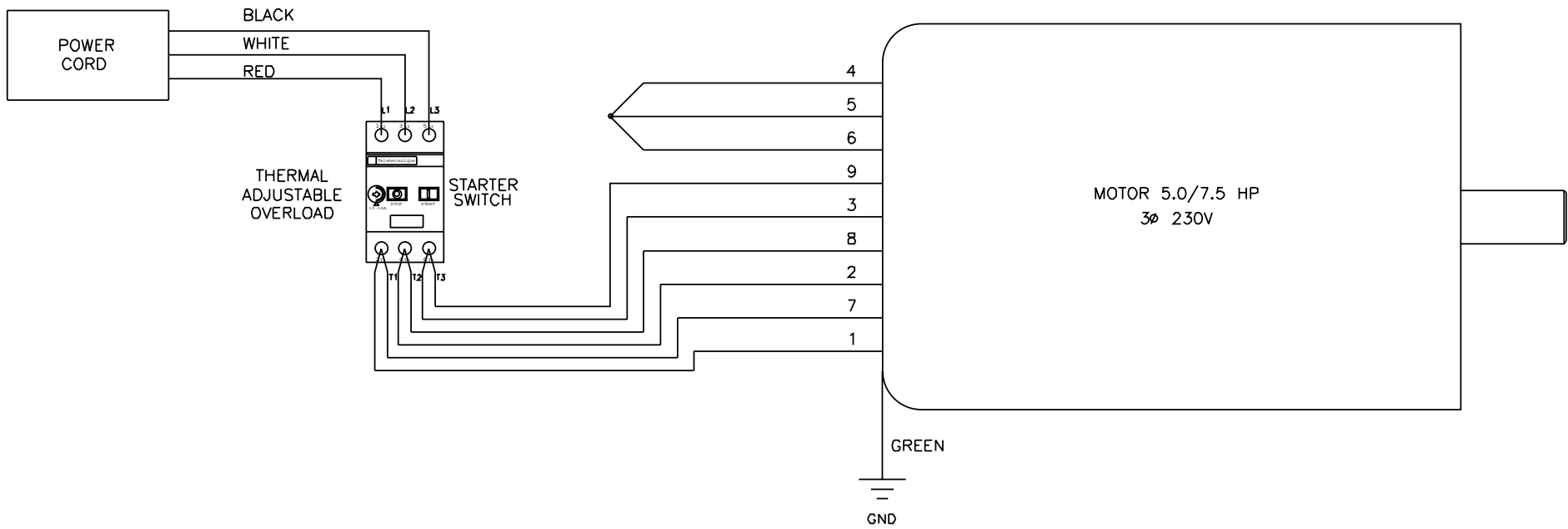
# WIRING DIAGRAM FOR CW-2405/3004-4ME1 (230 VOLT)



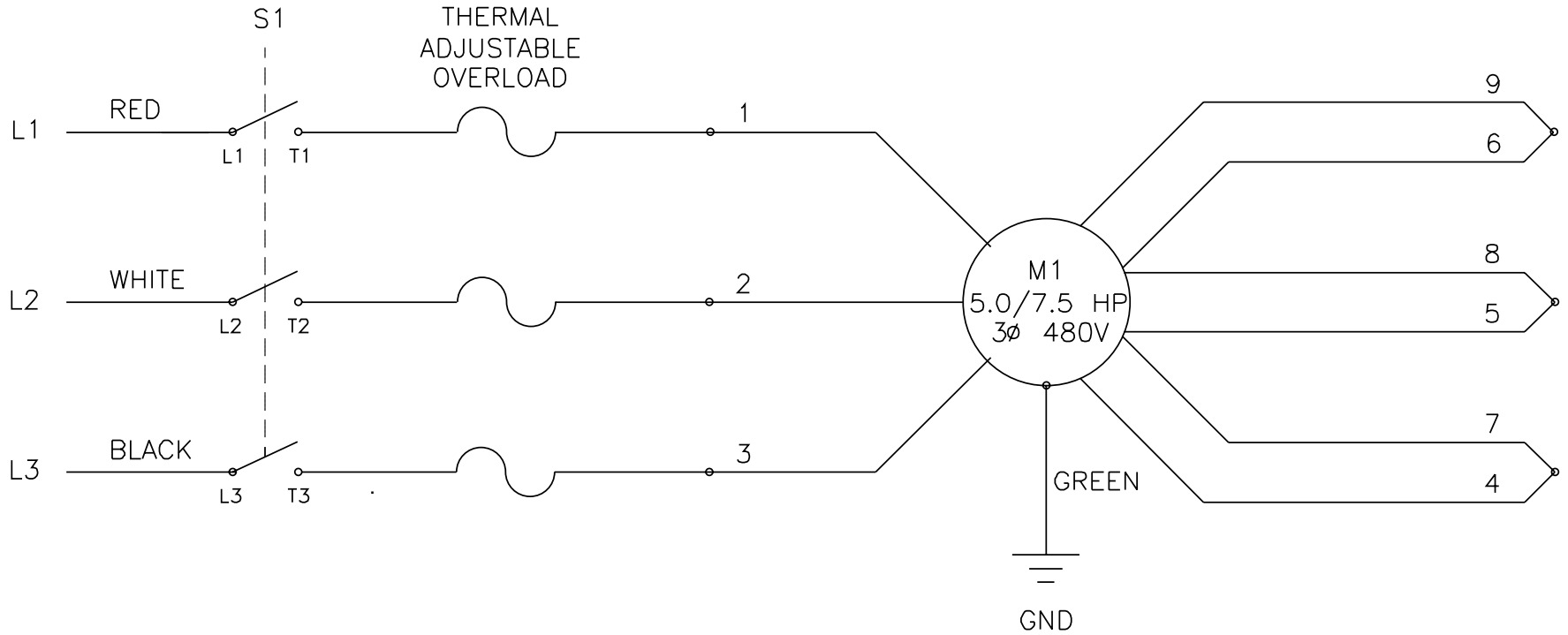
# WIRING SCHEMATIC FOR CW-2405/3004-4ME3 (230 VOLT)



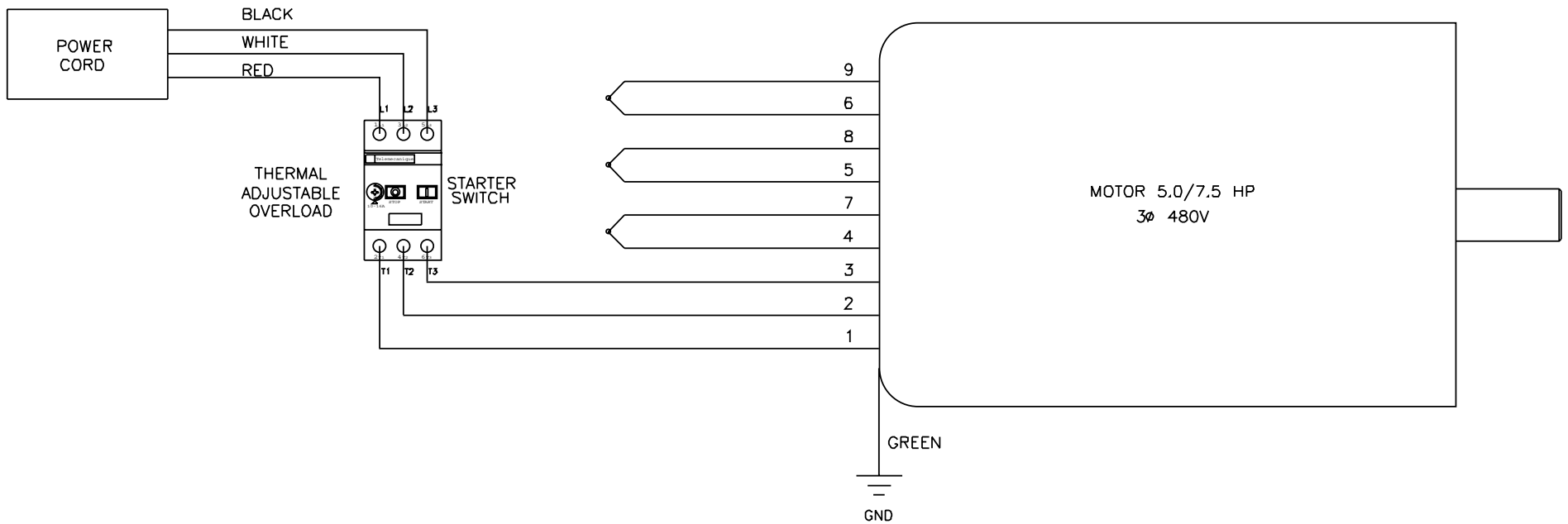
# WIRING DIAGRAM FOR CW-2405/3004-4ME3 (230 VOLT)



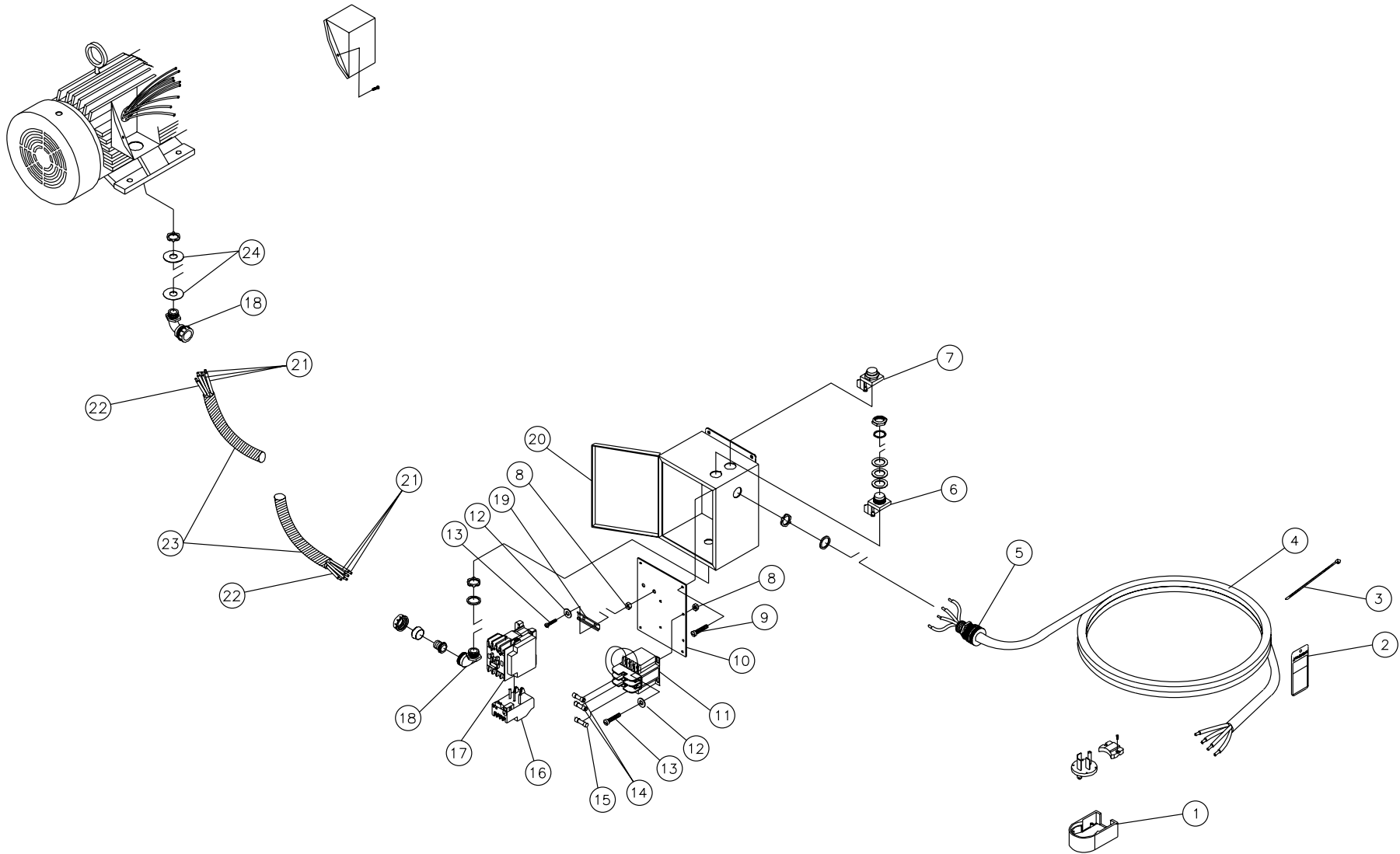
# WIRING SCHEMATIC FOR CW-2405/3004-4ME3 (CX-0003 OPTION) (460 VOLT)



# WIRING DIAGRAM FOR CW-2405/3004-4ME3 (CX-0003 OPTION) (460 VOLT)



# CW-3006-4ME3 CONTROL BOX ASSEMBLY (230 VOLT)

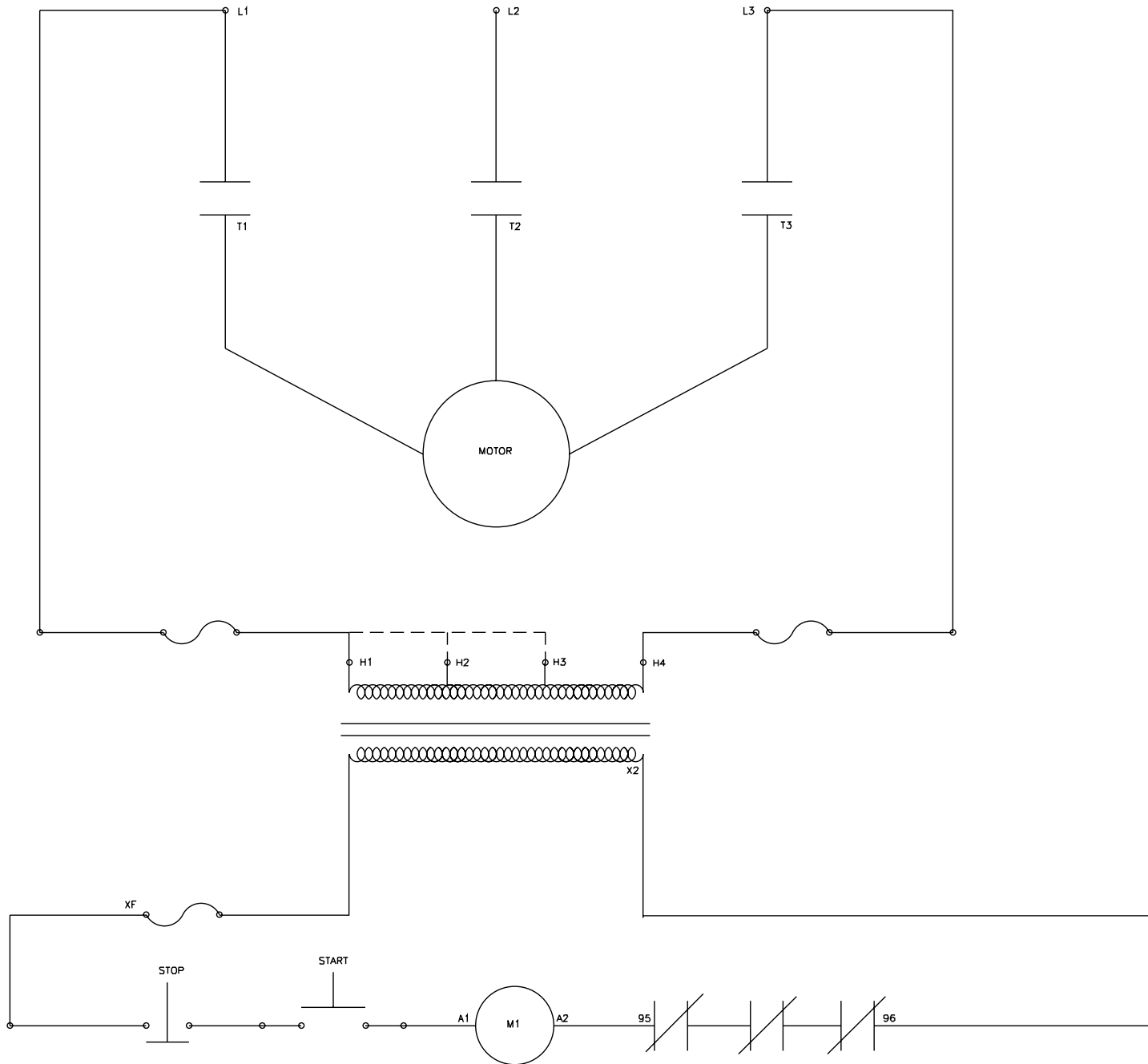


CW-A-0001-081399-RD



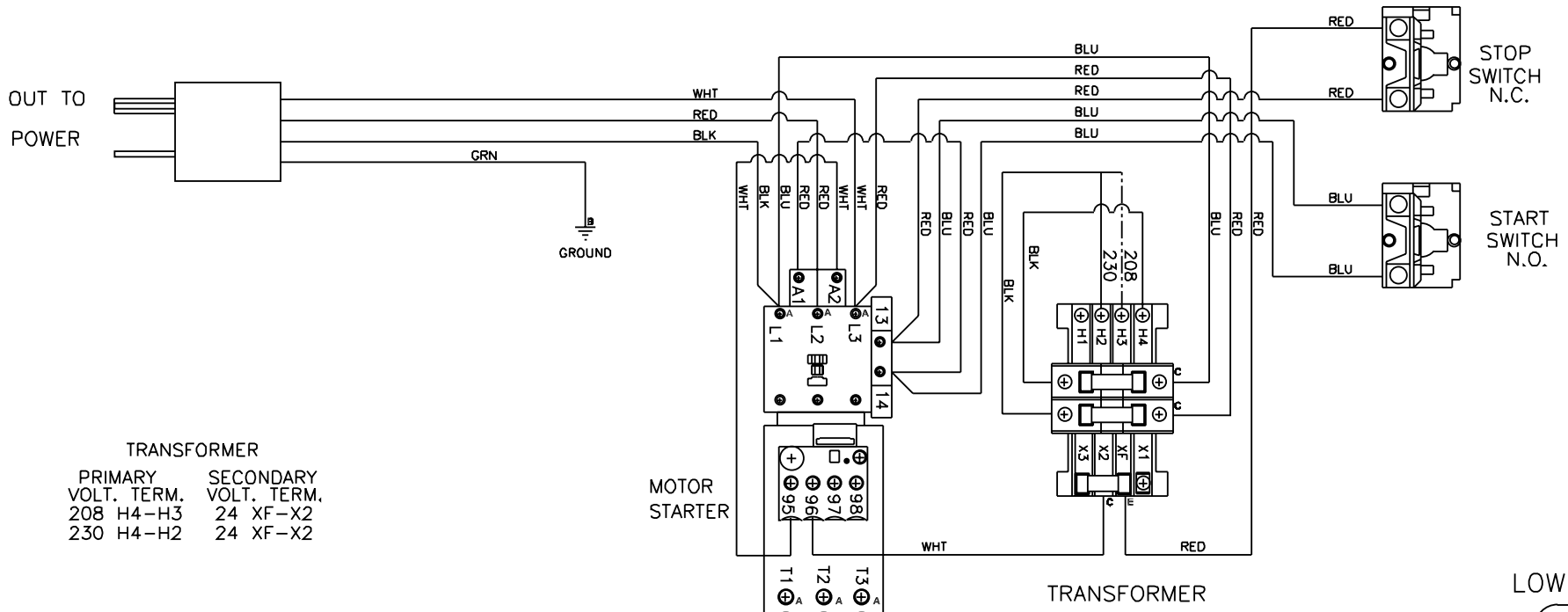
CONTROL BOX ASSEMBLY (230 VOLT)			
REF #	DESCRIPTION	PART #	QTY
1	Plug	32-0647	1
2	Tag- Warning: Risk of Electrocution	34-0330	1
3	Cable Tie	33-0022	1
4	Cord *(Ten Feet Required)	32-0123	1
5	Cord Strain Relief	32-0040	1
6	Switch- Red	32-0306	1
7	Switch- Green	32-0305	1
8	Locknut	30-8152	6
9	Bolt (See 32-0455)	N/A Sep.	4
10	Panel	32-0456	1
11	Transformer	32-0618	1
12	Washer	28-0010	6
13	Bolt	27-8927	6
14	Fuse- 600V	32-0469	2
15	Fuse- 125V	32-0619	1
16	Overload Relay	32-0490	1
17	Contactactor	32-0598	1
18	Conduit	32-0487	2
19	Din Rail *(One Foot Required)	32-0316	1
20	Control Box	32-0455	1
21	Wire- Black *(Six Feet Required)	32-0501	1
22	Wire- Green *(Two Feet Required)	32-0622	1
23	Conduit *(One Foot Required)	32-0486	1
24	Washer	32-0648	2
*Must Order in One Foot Lengths			

# WIRING SCHEMATIC FOR CW-3006-4ME3 (230 VOLT)



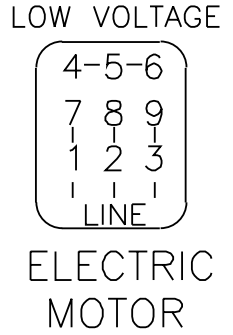
CW-WD-0001-081399-RD

# WIRING DIAGRAM FOR CW-3006-4ME3 (230 VOLT)



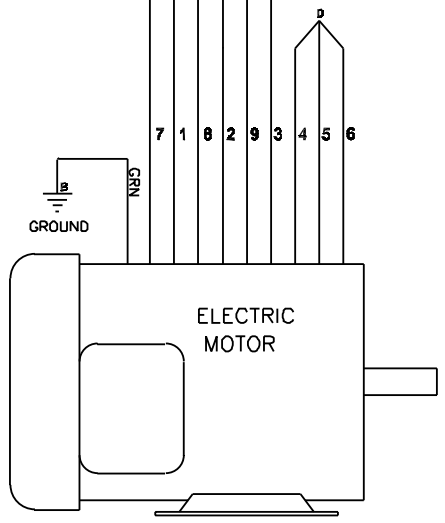
**TRANSFORMER**

PRIMARY VOLT. TERM.	SECONDARY VOLT. TERM.
208 H4-H3	24 XF-X2
230 H4-H2	24 XF-X2



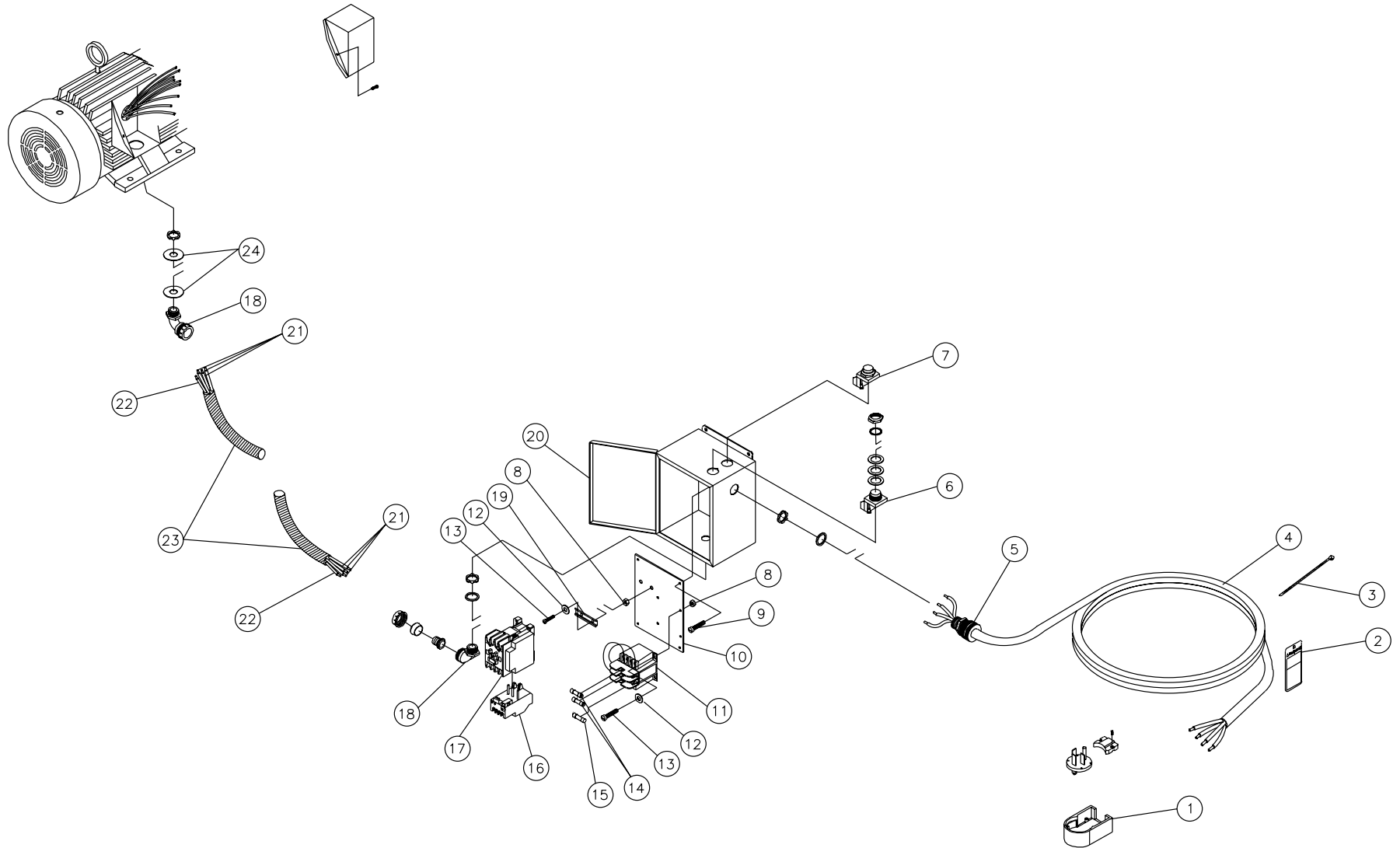
CD-WD-0002-070501-EDW

WIRING DIAGRAM (230 VOLT)			
REF. #	DESCRIPTION	PART #	QTY.
A	Terminal Insulated	32-0498	6
B	Terminal Ring	32-0523	2
C	Terminal Fork	32-0003	3
D	Crimped Wire Splice	32-0359	1
E	Terminal Q.C.	32-0221	1
F	Wire- White *(Two Feet Required)	32-0094	1
G	Wire- Blue *(Three Feet Required)	32-0093	1
H	Wire- Red *(Three Feet Required)	32-0092	1
*Must Order in One Foot Lengths			



CW-WD-0002-070501-EDW

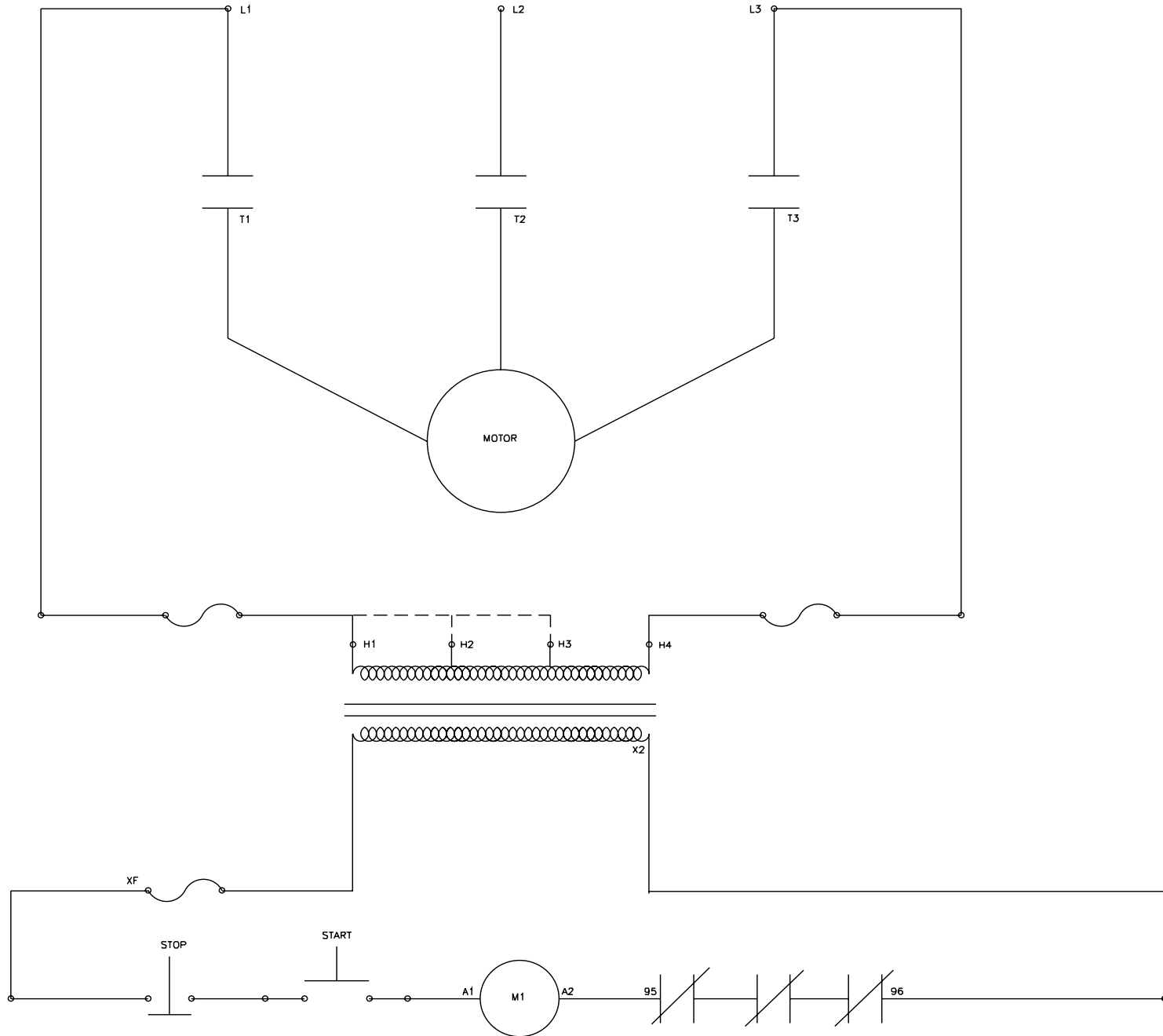
# CW-3006-4ME3 CONTROL BOX ASSEMBLY (CX-0057 OPTION) (460 VOLT)



CW-A-0002-060899-RD

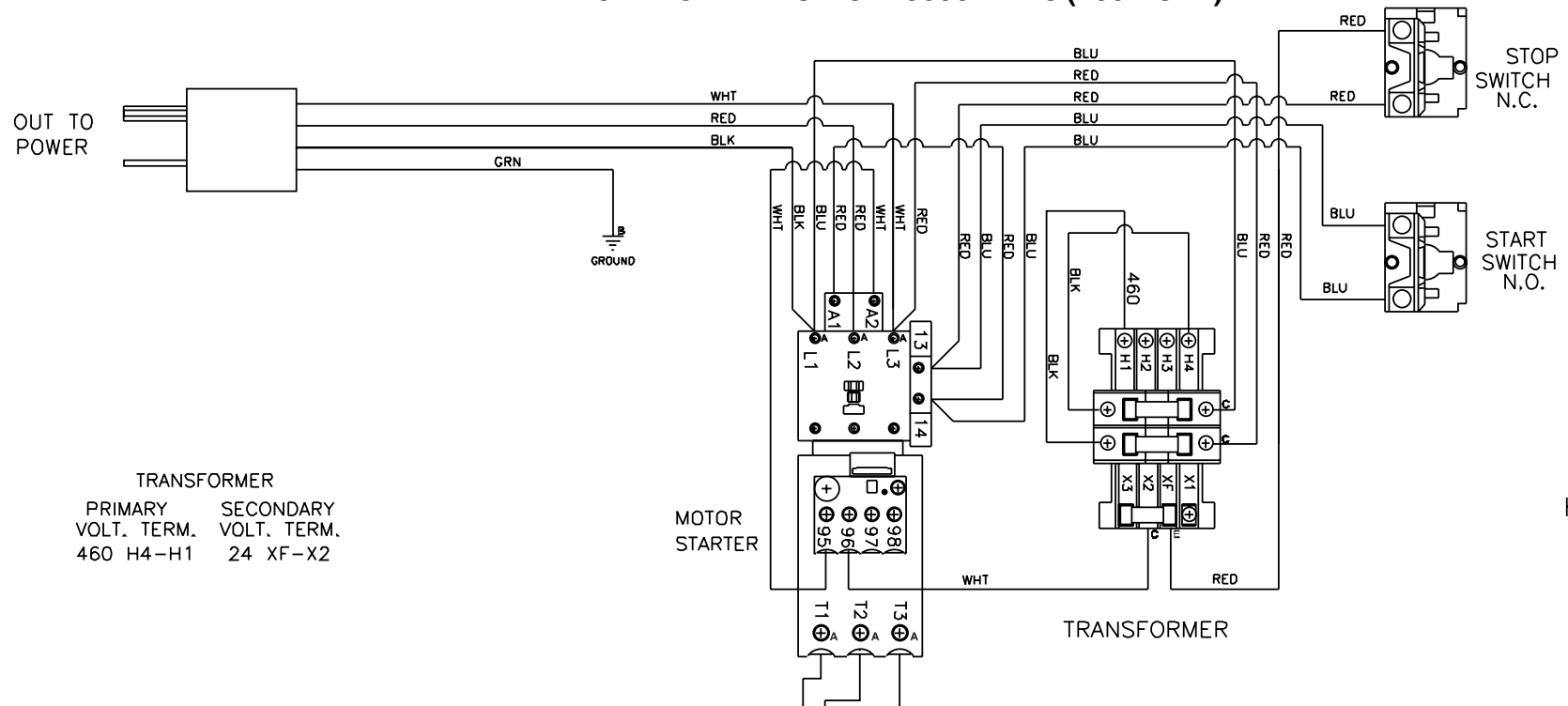
CONTROL BOX ASSEMBLY (CX-0057 OPTION) (460 VOLT)							
REF #	DESCRIPTION	PART #	QTY	REF #	DESCRIPTION	PART #	QTY
1	Plug	32-0146	1	14	Fuse- 600V	32-0325	2
2	Tag- Warning: Risk of Electrocution	34-0330	1	15	Fuse- 125V	32-0323	1
3	Cable Tie	33-0022	1	16	Overload Relay	32-0483	1
4	Cord *(Ten Feet Required)	32-0023	1	17	Contactor	32-0597	1
5	Cord Strain Relief	9-0046	1	18	Conduit	32-0487	2
6	Switch- Red	32-0306	1	19	Din Rail *(One Foot Required)	32-0316	1
7	Switch- Green	32-0305	1	20	Control Box	32-0455	1
8	Locknut	30-8152	6	21	Wire- Black *(Six Feet Required)	32-0501	1
9	Bolt (See 32-0455)	N/A Sep.	4	22	Wire- Green *(Two Feet Required)	32-0622	1
10	Panel	32-0456	1	23	Conduit *(One Foot Required)	32-0486	1
11	Transformer	32-0313	1	24	Washer	32-0648	2
12	Washer	28-0010	6	*Must Order in One Foot Lengths			
13	Bolt	27-8927	6				

# WIRING SCHEMATIC FOR CW-3006-4ME3 (460 VOLT)

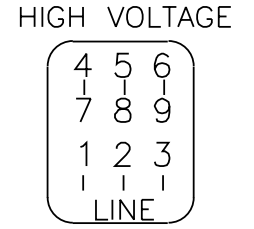


CW-WD-0001-112700-RD

# WIRING DIAGRAM FOR CW-3006-4ME3 (460 VOLT)



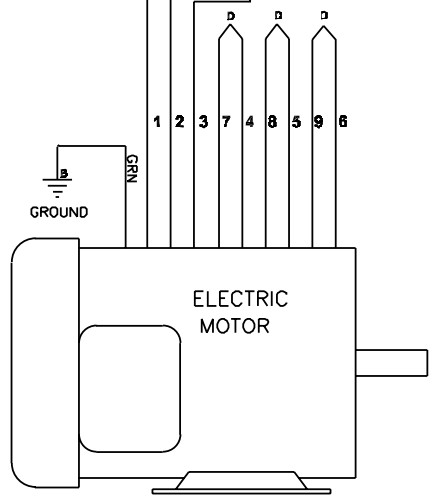
TRANSFORMER  
 PRIMARY VOLT. 460 H4-H1  
 SECONDARY VOLT. 24 XF-X2



ELECTRIC MOTOR

CD-WD-0003-112700-EDW

WIRING DIAGRAM (460 VOLT)			
REF. #	DESCRIPTION	PART #	QTY.
A	Terminal Insulated	32-0498	6
B	Terminal Ring	32-0523	2
C	Terminal Fork	32-0003	3
D	Terminal Insulated- Gray	32-0072	6
E	Terminal Q.C.	32-0221	1
F	Wire- White *(Two Feet Required)	32-0094	1
G	Wire- Blue *(Three Feet Required)	32-0093	1
H	Wire- Red *(Three Feet Required)	32-0092	1
*Must Order in One Foot Lengths			



CW-WD-0003-112700-EDW

