

The **Chore Master**[®] by Mi-T-M[®]

PARTS LIST FOR CV-2400-1MHC

Engine Oil Grade:	SAE10W-30
Engine Oil Capacity:	20 oz.
Pump Oil Grade:	Mi-T-M Pump Oil #AW-4085-0016
Pump Oil Capacity:	4.5 oz.
Nozzle Size:	1.15 mm

This Parts Listing has been compiled for your benefit. You can be assured your Mi-T-M Cold Water Pressure Washer was constructed and designed with quality and performance in mind using over 25 years experience in the pressure washer business. Each component has been rigorously tested to insure the highest level of acceptance.

The contents of this Parts Listing are based on the latest product information available at the time of publication. Mi-T-M reserves the right to make changes in price, color, materials, equipment, specifications or models at any time without notice.

WARNING

THIS IS A PROFESSIONAL HIGH PRESSURE, COLD WATER PRESSURE WASHER. CAUTION SHOULD BE OBSERVED WHEN USING OR REPAIRING THIS UNIT! READ AND FOLLOW THE SAFETY WARNINGS LISTED BELOW BEFORE ATTEMPTING ANY REPAIRS ON THIS PRESSURE WASHER!

SAFETY WARNINGS

1. NEVER alter or modify the equipment. Be sure any accessory items and system components being used will withstand the pressure developed. Use only genuine Mi-T-M parts for repair of your pressure washer. Failure to do so can cause hazardous operating conditions and will VOID warranty.
2. NEVER make adjustments on machinery while the unit is connected to the power source. Turning over the machinery by hand during adjustment or cleaning might start the machinery, causing serious injury to the operator.
3. Know how to stop and bleed pressures quickly. Be thoroughly familiar with controls.
4. Before servicing the unit, turn unit off, relieve the water pressure and allow the unit to cool down. Do not make repairs while the unit is running. Service in a clean, dry, flat area.
5. After testing the machine, DO NOT leave the pressurized unit unattended. Shut off the unit and release trapped pressure before leaving.

Table of Contents

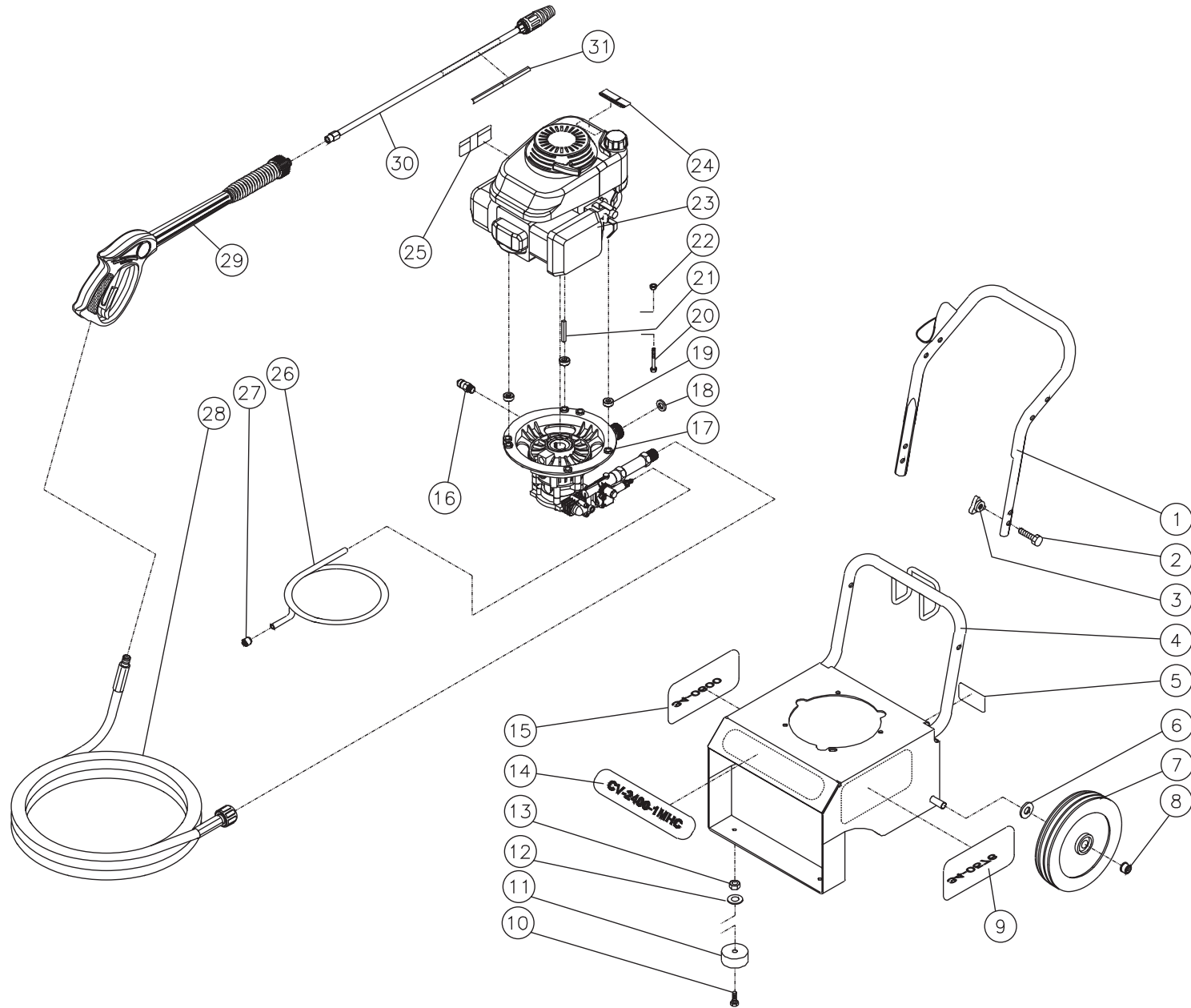
SPECIFICATIONS	3
FRAME ASSEMBLY FOR CV-2400-1MHC	4
PUMP ASSEMBLY (3-0224)	6
GUN/ WAND ASSEMBLY (16-0365)	8
LANCE ASSEMBLY (16-0381)	10

SPECIFICATIONS

CV-2400-1MHC

MODEL NUMBER	CV-2400-1MHC
Operating Pressure (PSI/Bar):	2400/165.5
High Pressure Nozzle:	1.15 mm
Water Volume (GPM/lpm):	2.0/7.6
Engine:	Honda
Horsepower	5.5
Engine Type	4 Stroke, Overhead Valve, Single Cylinder
Oil Type	SAE10W-30
Oil Capacity (oz./liters)	20/.6
Fuel Type	Unleaded Gasoline 86 Octane Minimum
Fuel Capacity (gallon/ liters)	.29/1.1
Starting	Recoil
Maximum No Load RPM	3600 (+/- 100) RPM
Pump:	Direct Driven, Oil Bath, Triplex Axial Piston
Oil Type	Mi-T-M Pump Oil #AW-4085-0016
Oil Capacity (oz./liters)	4.5/.13
Plungers	Stainless Steel
Manifold	Aluminum
Valves	Stainless Steel
Heat Dump Valve	Relieves heated water during unloader bypass stage
Detergent Injector:	Low pressure down stream from pump
Unit Net Weight (lbs/Kg)	60/27
Unit Shipping Weight (lbs/Kg)	75/34
Unit Net Dimension (in/cm)	21.5Lx16.5Wx21.5H/ 54.5Lx42Wx54.5H
Unit Shipping Dimension (in/cm)	24.75Lx17.5Wx23H/ 63Lx44.5Wx58H

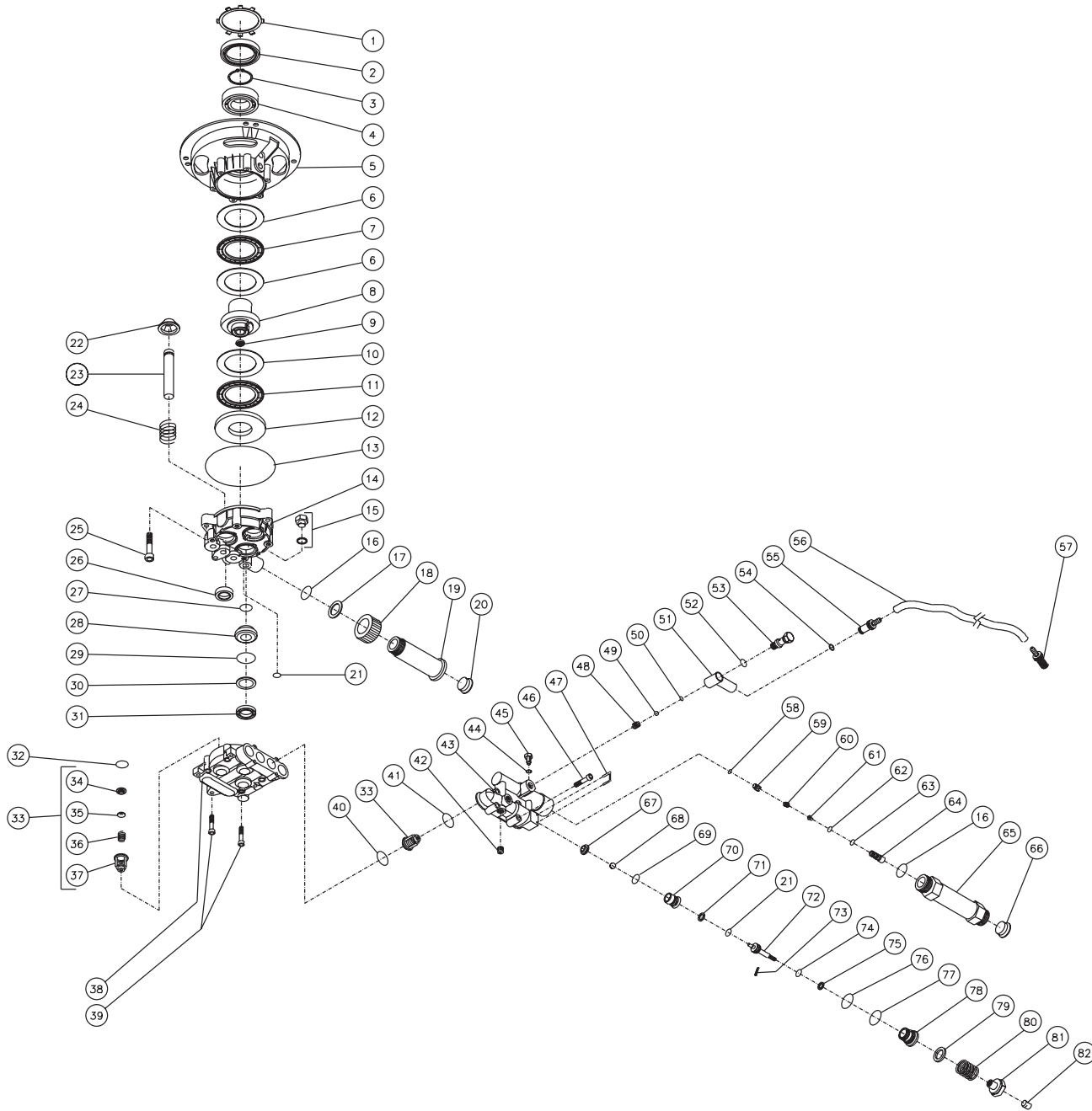
FRAME ASSEMBLY FOR CV-2400-1MHC



CV-2400-1MHC-041202-DLG

FRAME ASSEMBLY FOR CV-2400-1MHC							
REF. #	DESCRIPTION	PART #	QTY.	REF. #	DESCRIPTION	PART #	QTY.
1	Handle	7-0165A01	1	17	Pump	3-0224	1
2	Bolt	31-0051	2	18	Filter	19-0001	1
3	Knob	7-0107	2	19	Engine Shim	13-0134	3
4	Frame Assembly	5-0168A01	1	20	Bolt	27-0071	3
5	Decal- Clear Laminate	N/A	1	21	Key	43-0073	1
6	Washer	28-0006	2	22	Locknut	30-0157	3
7	Wheel	14-0077	2	23	Engine- 5.5 HP Honda	1-0131	1
8	Hub Cap	33-0055	2	24	Decal- Caution: Allow to Cool (E/S)	34-0599	1
9	Decal- Warn/Caution/Oper. (English only)	34-0576	1	25	Decal- Warning: Muffler Hot E/S)	34-0598	1
10	Bolt	27-0015	2	26	Detergent Hose *(Four Feet Required)	15-0021	1
11	Isolator	14-0069	2	27	Detergent Strainer	19-0050	1
12	Washer	28-0002	2	28	Pressure Hose	15-0239	1
13	Locknut	30-0155	2	29	Gun	16-0365	1
14	Decal- CV-2400-1MHC	34-1334	1	30	Lance	16-0381	1
15	Decal- Warn/Caution/Oper. (Spanish Only)	34-0600	1	31	Decal- Warning: Risk of Injection (E/S)	34-1253	1
16	Heat Dump Valve	22-0208	1	*Must Order in One Foot Lengths			

PUMP ASSEMBLY (3-0224)

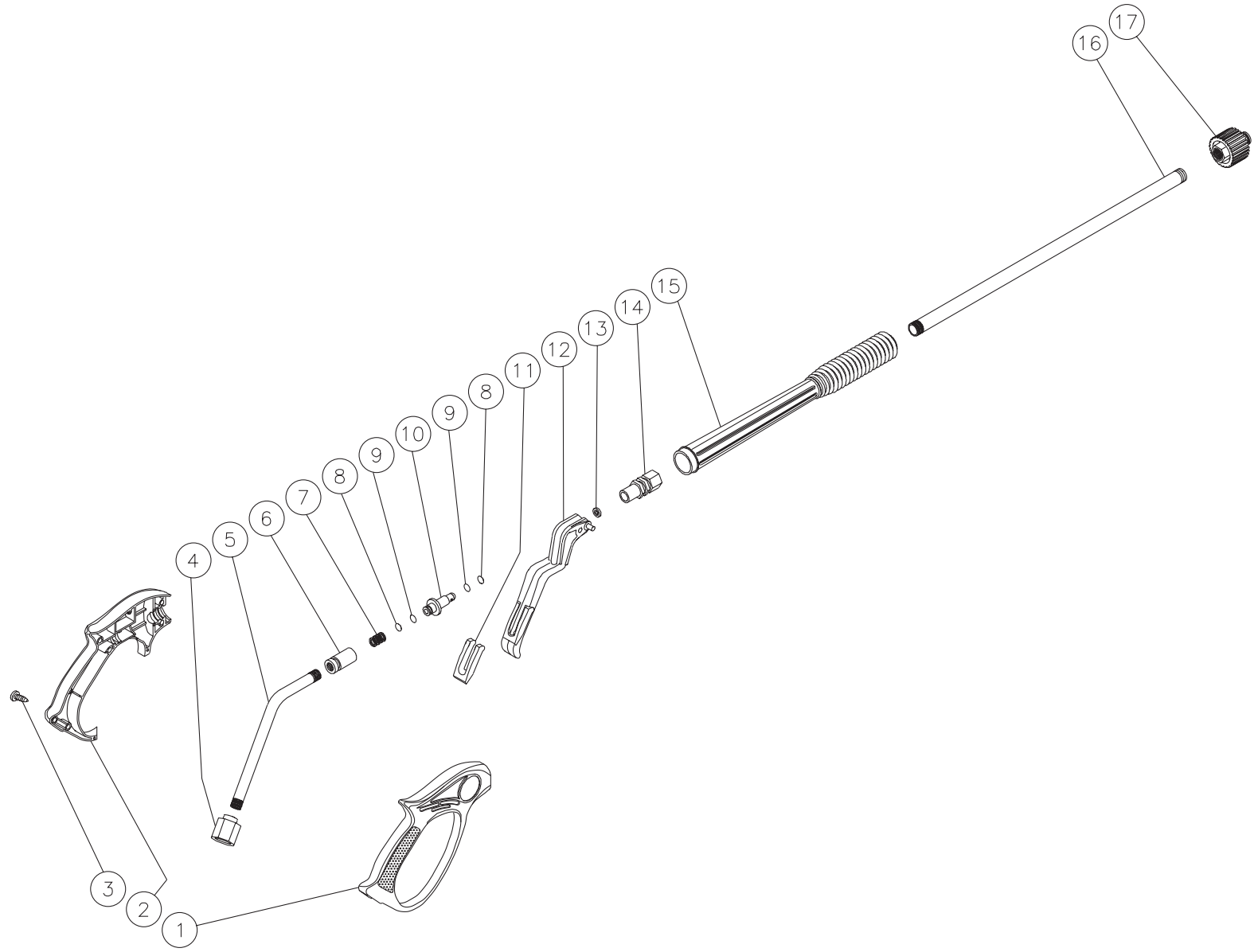


3-0224-051402-DLG

PUMP ASSEMBLY (3-0224)

REF. #	DESCRIPTION	PART #	QTY.	REF. #	DESCRIPTION	PART #	QTY.	REF. #	DESCRIPTION	PART #	QTY.
1	Oil Seal Retaining Ring	46-1057	1	29	O-ring	25-0399	3	57	Detergent Strainer	19-0050	1
2	Oil Seal	26-0244	1	30	Backup Ring	25-0422	3	58	O-ring	25-0334	1
3	Snap Ring	46-0940	1	31	Pressure Seal	46-0744	3	59	Check Valve	22-0158	1
4	Bearing	48-0077	1	32	O-ring	25-0359	3	60	Check Valve Spring	49-0130	1
5	Flange	38-9003	1	33	Valve Complete (Inc. 34-37)	22-0224	6	61	Injector Nozzle	46-1066	1
6	Washer	48-0078	2	34	Valve Seat (See 22-0224)	N/A Sep.	6	62	O-ring	25-0362	1
7	Roller	48-0079	1	35	Valve Plate (See 22-0224)	N/A Sep.	6	63	O-ring	25-0248	1
8	Wobble Plate	46-1058	1	36	Spring Valve (See 22-0224)	N/A Sep.	6	64	Injector Body	46-1063	1
9	Plug	39-0082	1	37	Valve Cage (See 22-0224)	N/A Sep.	6	65	Outlet Tube	46-1064	1
10	Washer	48-0056	1	38	Pump Head	46-0658	1	66	Plug (Shipping Only)	N/A	1
11	Bearing	48-0057	1	39	Bolt	27-8892	5	67	Valve Seat Plate	70-0192	1
12	Washer	48-0064	1	40	O-ring	25-0360	3	68	Ball	46-0685	1
13	O-ring	25-0358	1	41	O-ring	25-0238	4	69	O-ring	25-0535	1
14	Pump Housing	46-1059	1	42	Plug	27-8197	1	70	Unloader Seat	46-1067	1
15	Plug	39-0210	1	43	Pump Manifold	46-1062	1	71	Backup Ring	25-0274	1
16	O-ring	25-0536	2	44	O-ring	25-0357	1	72	Bypass Valve Piston	N/A	1
17	Washer	28-0143	1	45	Bolt	27-8894	1	73	Roll Pin	46-1065	1
18	Garden Hose Connection	23-0304	1	46	Bolt	27-8893	4	74	O-ring	25-0242	1
19	Inlet Tube	46-1060	1	47	U-Clip	46-0741	1	75	Backup Ring	25-0246	1
20	Plug	N/A	1	48	Detergent Injector Spring	49-0075	1	76	O-ring	25-0231	1
21	O-ring	25-0230	2	49	Detergent Injector Ball	46-0346	1	77	O-ring	25-0263	1
22	Piston Spring Retainer	46-0663	3	50	O-ring	25-0234	1	78	Bypass Valve Body	8-0472	1
23	Piston	46-1061	3	51	Detergent Injector Adapter	46-0636	1	79	Washer	28-0295	1
24	Spring	49-0151	3	52	O-ring	25-0235	1	80	Pressure Regulating Spring	49-0152	1
25	Bolt	27-8404	3	53	Banjo Fitting	46-0637	1	81	Pressure Regulating Nut	8-0471	1
26	Oil Seal	26-0265	3	54	O-ring	25-0341	1	82	Screw	27-8895	1
27	O-ring	25-0255	3	55	Hose Barb	46-0638	1		Injector Repair Kit (Inc. 48-50, 52)	70-0102	
28	Packing Retainer	46-0737	3	56	Detergent Hose *(Four Feet Required)	15-0021	1		Packing Kit (Inc. 29 and 46-0738 which replaces 30, 31)	70-0195	

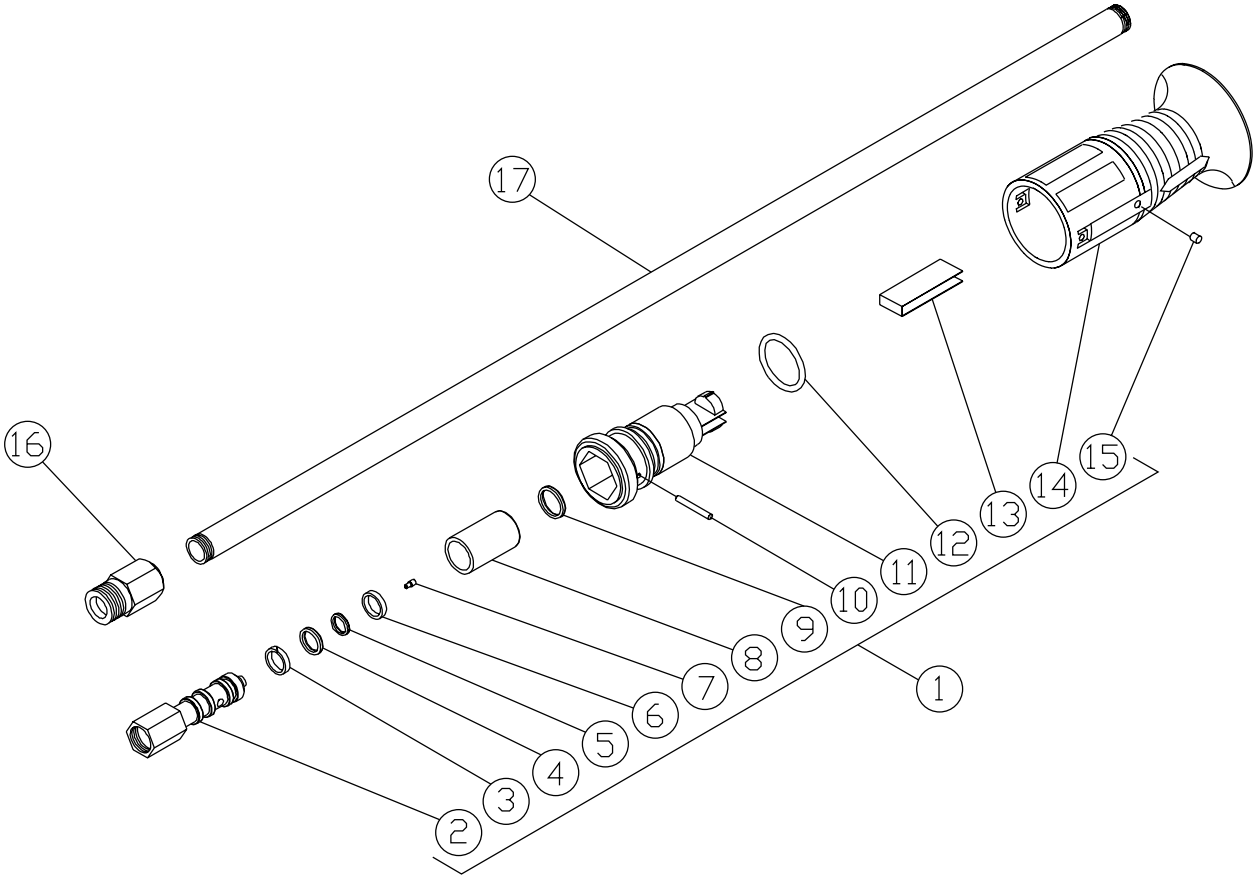
GUN/ WAND ASSEMBLY (16-0365)



16-0364-103101-RD

GUN/WAND ASSEMBLY (16-0365)								
REF. #	DESCRIPTION	PART #	QTY.		REF. #	DESCRIPTION	PART #	QTY.
1	Gun Body (Right Side)	16-0367	1		11	Trigger Lock	16-0372	1
2	Gun Body (Left Side)	16-0368	1		12	Trigger	16-0373	1
3	Screw	27-8862	6		13	Seat	26-0238	1
4	Adapter	23-0385	1		14	Brass Body Outlet	16-0374	1
5	Pipe (See 70-0287)	N/A Sep.	1		15	Gripping Area (Plastic)	16-0375	1
6	Brass Body Inlet	16-0370	1		16	Pipe	16-0376	1
7	Spring	49-0141	1		17	Screw Connnect Coupling	16-0377	1
8	O-ring	25-0363	2			Shutter Valve Kit (Includes 7-10)	70-0289	
9	Back-up Ring	25-0416	2			Complete Gun/Wand Assembly (Inc. 1-17)	16-0365	
10	Valve	16-0371	1					

LANCE ASSEMBLY (16-0381)



16-0381-102700-RD

LANCE ASSEMBLY (16-0381)			
REF. #	DESCRIPTION	PART #	QTY.
1	Nozzle Assembly (Includes 2-14)	18-0354	1
2	Nozzle Body	18-0284	1
3	Back-up Ring	25-0346	1
4	O-ring	25-0345	1
5	O-ring	25-0343	1
6	Back-up Ring	25-0344	1
7	Nozzle- 1.15 mm	18-0351	1
8	Sleeve (See 18-0354)	N/A Sep.	1
9	O-ring	25-0419	1
10	Pin	43-0083	1
11	Plastic Housing (See 18-0354)	N/A Sep.	1
12	O-ring	25-0342	1
13	Angle Plate	18-0283	1
14	Nozzle Protector	18-0353	1
15	I.D. Pin	18-0352	1
16	Coupling	16-0378	1
17	Pipe	16-0379	1
	Repair Kit (Inc. 4-6, 13)	70-0303	

