

# Mi-T-M<sup>®</sup> CORPORATION

8650 Enterprise Drive, Peosta IA 52068

563-556-7484 / Fax 563-556-1235

[www.mitm.com](http://www.mitm.com)

## PARTS LIST FOR ***CBA-3003-0MHB/RB*** (AFTER SERIAL #10202373)

Engine Oil Grade:	SAE 10W-30
Engine Oil Capacity:	
Honda:	37 oz.
Subaru:	35.5 oz.
Pump Oil Grade:	Mi-T-M Pump Oil #AW-4085-0016
Pump Oil Capacity:	15 oz.
Nozzle Size:	3.5

This Parts Listing has been compiled for your benefit. You can be assured your Mi-T-M Cold Water Pressure Washer was constructed and designed with quality and performance in mind using over 25 years experience in the pressure washer business. Each component has been rigorously tested to insure the highest level of acceptance.

The contents of this Parts Listing are based on the latest product information available at the time of publication. Mi-T-M reserves the right to make changes in price, color, materials, equipment, specifications or models at any time without notice.

### **WARNING**

THIS IS A PROFESSIONAL HIGH PRESSURE, COLD WATER PRESSURE WASHER. CAUTION SHOULD BE OBSERVED WHEN USING OR REPAIRING THIS UNIT! READ AND FOLLOW THE SAFETY WARNINGS LISTED BELOW BEFORE ATTEMPTING ANY REPAIRS ON THIS PRESSURE WASHER!

### **SAFETY WARNINGS**

1. NEVER alter or modify the equipment. Be sure any accessory items and system components being used will withstand the pressure developed. Use only genuine Mi-T-M parts for repair of your pressure washer. Failure to do so can cause hazardous operating conditions and will VOID warranty.
2. NEVER make adjustments on machinery while the unit is connected to the engine without first removing the ignition cables from the spark plugs. Turning over the machinery by hand during adjustment or cleaning might start the machinery, causing serious injury to the operator.
3. Know how to stop and bleed pressures quickly. Be thoroughly familiar with controls.
4. Before servicing the unit, turn unit off, relieve the water pressure and allow the unit to cool down. Do not make repairs while the unit is running. Service in a clean, dry, flat area.
5. After testing the machine, DO NOT leave the pressurized unit unattended. Shut off the unit and release trapped pressure before leaving.

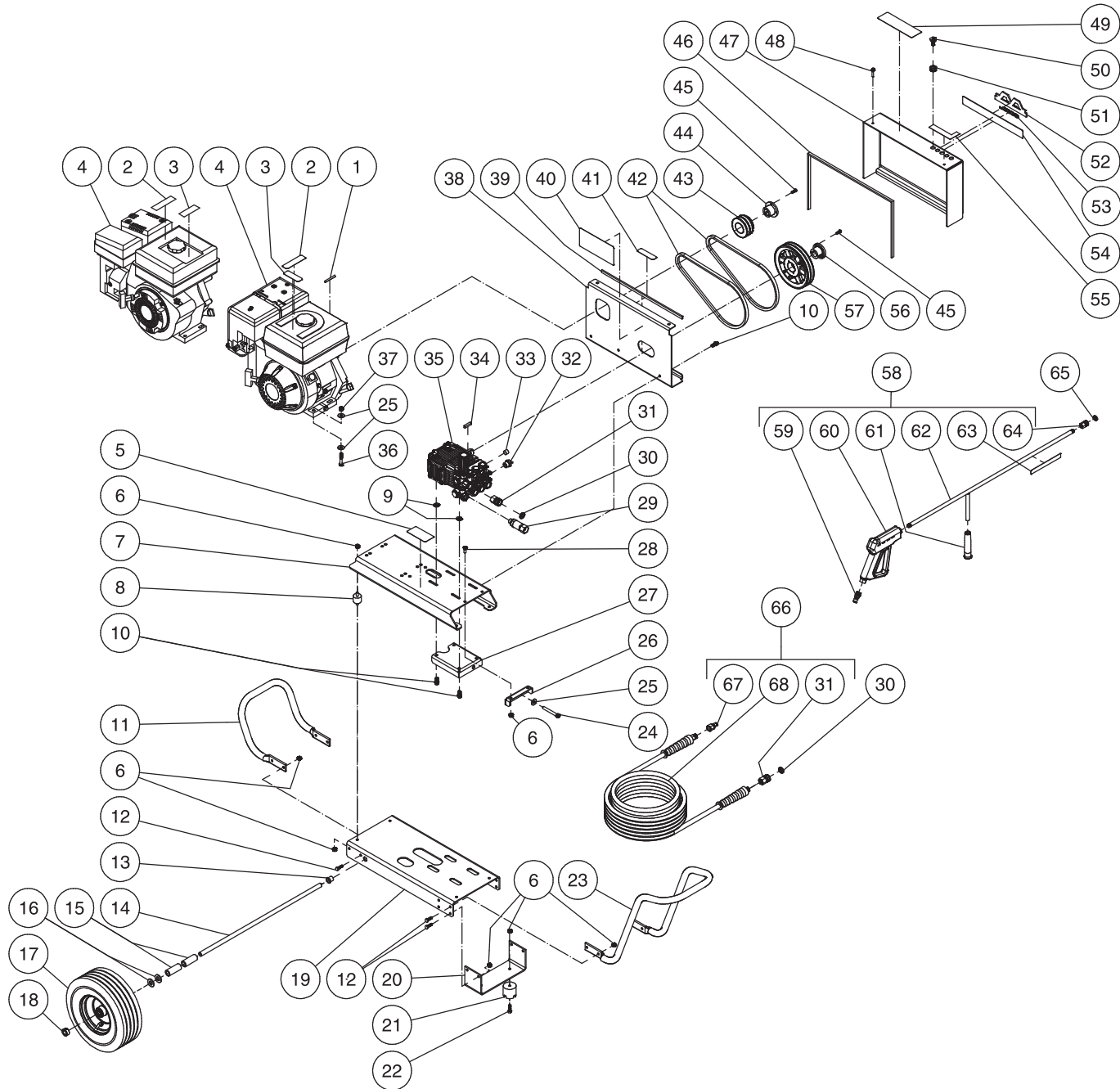
### **Table of Contents**

<b>SPECIFICATIONS</b> .....	<b>3</b>
<b>FRAME ASSEMBLY (AFTER SERIAL #10202373)</b> .....	<b>4</b>
<b>PUMP ASSEMBLY (3-0268)</b> .....	<b>6</b>
<b>UNLOADER ASSEMBLY (8-0533)</b> .....	<b>8</b>
<b>GUN ASSEMBLY (16-0001)</b> .....	<b>10</b>

## SPECIFICATIONS

MODEL NUMBER	CBA-3003-0MHB	CBA-3003-0MRB
<b>Operating Pressure (PSI/Bar):</b>	3000 / 206.8	
<b>High Pressure Nozzle:</b>	3.5	
<b>Water Volume (GPM/lpm):</b>	3.0 / 11.4	
<b>Engine:</b>	Honda	Subaru
Horsepower	9.0	
Engine Type	4 Stroke, Overhead Valve, Single Cylinder	
Oil Type	SAE 10W 30	
Oil Capacity (oz./liters)	37 / 1.1	35.5 / 1.05
Low Oil Protection	Oil Alert™	Oil Sensor
Fuel Type	Unleaded Gasoline 86 Octane Minimum	
Fuel Capacity (gallon/ liters)	1.6 / 6.0	
Starting	Recoil	
Maximum No Load RPM	3600	
<b>Pump:</b>	Belt Driven, Oil Bath, Triplex Piston	
Oil Type	Mi-T-M Pump Oil #AW-4085-0016	
Oil Capacity (oz./liters)	15 / .44	
Plungers	Ceramic	
Manifold	Forged Brass	
Valves	Stainless Steel	
Unloader	Adjustable	
Thermal Relief Valve	Relieves heated water during unloader bypass stage	
<b>Unit Net Weight (Lbs/kg)</b>	137 / 62	
<b>Unit Shipping Weight (Lbs/kg)</b>	191 / 86.5	
<b>Unit Net Dimension (In/cm)</b>	46.5L x 28W x 27.5H /118L x 71W x 70H	
<b>Unit Shipping Dimension (In/cm)</b>	48L x 30W x 34H /122L x 76W x 86H	

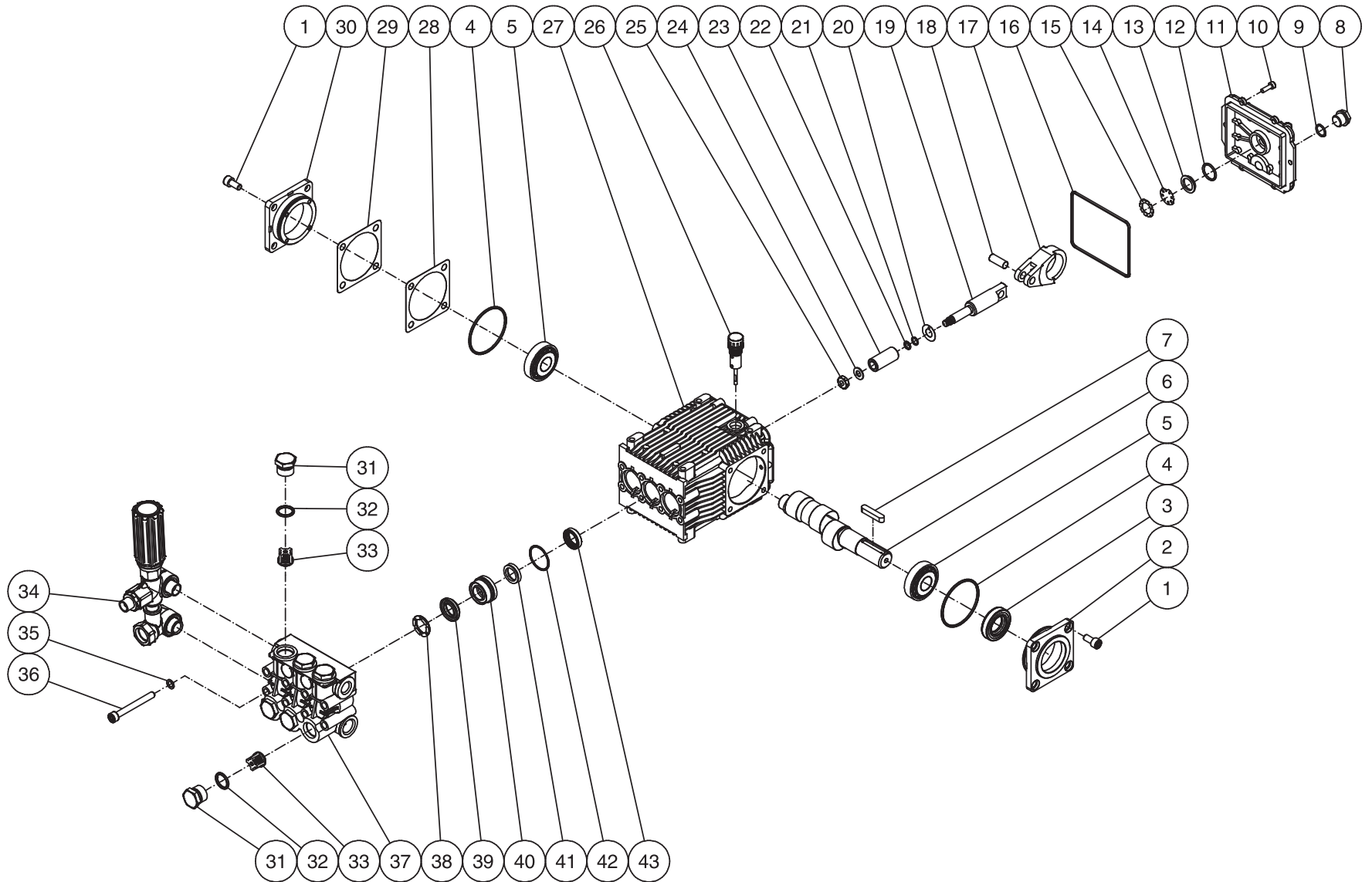
# FRAME ASSEMBLY (AFTER SERIAL #10202373)



CBA-3003-0MHB\_RB-071305-JJT

FRAME ASSEMBLY (AFTER SERIAL #10202373)											
REF #	DESCRIPTION	PART #	QTY	REF #	DESCRIPTION	PART #	QTY	REF #	DESCRIPTION	PART #	QTY
1	Key	43-0078	1	25	Flatwasher	28-0023	9	50	Nozzle- 0003.5	18-0257	1
2	Decal- Warning: Risk of Burns (See 34-9017)	N/A Sep.	1	26	Tension Bracket	21-0218	1	-	Nozzle- 1503.5	18-0258	1
3	Decal- Caution: Risk of Fire (See 34-9017)	N/A Sep.	1	27	Tension Bracket	21-0220	1	-	Nozzle- 2503.5	18-0259	1
4	Engine- Honda 9 HP (CBA-3003-0MHB)	1-0065	1	28	Bolt	27-0066	2	-	Nozzle- 4003.5	18-0260	1
-	Engine- Subaru 9 HP (CBA-3003-0MRB)	1-0134	1	29	Inlet Filter	19-0206	1	51	Grommet	33-0001	5
5	Decal- Data Plate	N/A	1	30	O-ring	25-0123	2	52	Decal- Mi-T-M Small Logo	62-0086	1
6	Locknut	30-0157	24	31	Quick Connect Socket	17-0004	2	53	Decal- White Die Cut 3000PSI	34-0775	1
7	Isolation Plate	5-0223	1	32	Thermal Relief Valve	22-0005	1	54	Decal- Mi-T-M Stripe	34-0502	1
8	Isolator	14-0097	4	33	Plug	23-0244	1	55	Decal- Nozzles 0, 15, 25, 40	34-0500	1
9	Washer	28-0022	4	34	Key w/ Pump	43-0091	1	56	Bushing	9-0017	1
10	Bolt	27-9524	7	35	Pump	3-0268	1	57	Sheave	10-0035	1
11	Rear Handle	7-0183	1	36	Bolt	27-0121	4	58	Gun/Wand Assembly (Inc. 59-64)	851-0095	1
12	Bolt	27-0067	12	37	Locknut	30-0159	4	59	Quick Connect Plug	17-0005	1
13	Bushing	62-0175	2	38	Beltguard Back	6-0106	1	60	Trigger Gun	16-0001	1
14	Axle	20-0819	1	39	Edging *(Two Feet Required)	33-0433	1	61	Wand Grip	7-0002	1
15	Spacer	62-0189	4	40	Decal- Warning/Caution (See 34-9017)	N/A Sep.	1	62	Wand	16-0120A01	1
16	Washer	28-0008	4	41	Decal- Warning: Beltguard in Place (See 34-9017)	N/A Sep.	1	63	Decal- Warning: Risk of Injection (See 34-9017)	N/A Sep.	1
17	Wheel	14-0006	2	42	Drive Belt	11-0023	2	64	Quick Connect Socket	17-0001	1
18	Collar / Shaft	33-0351	2	43	Sheave	10-0029	1	65	O-ring	25-0122	1
19	Baseplate	5-0222	1	44	Bushing	9-0005	1	66	Hose Assembly (Inc. 31, 67, 68)	851-0007	1
20	Support Bracket	56-0054	1	45	Bolt	27-0015	4	67	Quick Connect Plug	17-0006	1
21	Isolator	14-0008	2	46	Edging *(Four Feet Required)	33-0433	1	68	Hose	15-0003	1
22	Bolt	27-0068	2	47	Beltguard Cover	6-0107	1		Safety Decal Kit (Inc. 2-3, 40-41, 49, 63)	34-9017	
23	Front Handle	7-018201	1	48	Bolt	27-8898	2	*Must Order in One Foot Lengths			
24	Bolt	27-0576	1	49	Decal- Operation (See 34-9017)	N/A Sep.	1				

# PUMP ASSEMBLY (3-0268)

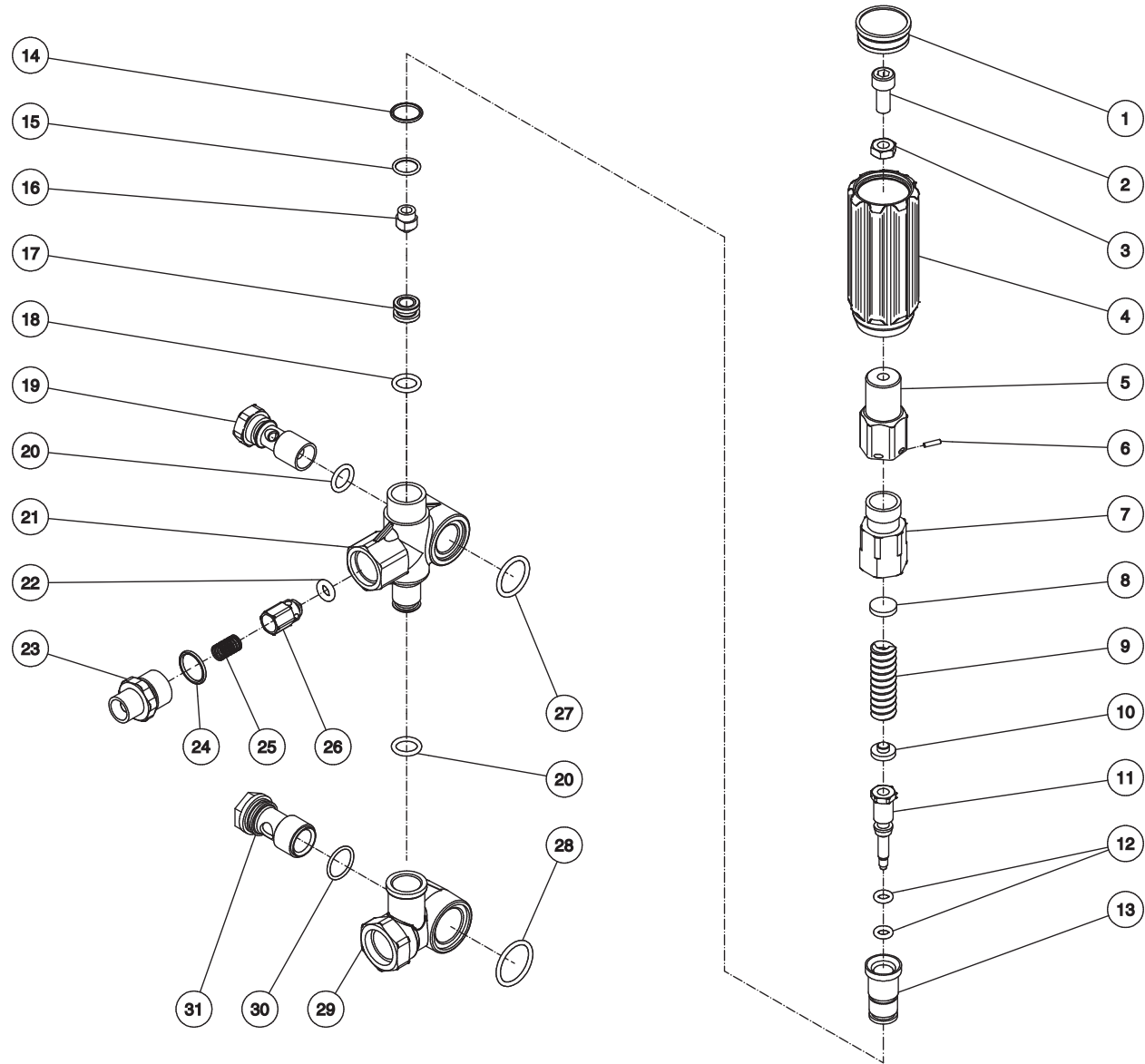


3-0268-033005-JJF

## PUMP ASSEMBLY (3-0268)

REF. #	DESCRIPTION	PART #	QTY.	REF. #	DESCRIPTION	PART #	QTY.	REF. #	DESCRIPTION	PART #	QTY.
1	Screw	27-8884	8	17	Connecting Rod	46-0896	3	33	Complete Valve Assembly (See 70-0319)	N/A Sep.	6
2	Pump Shaft	46-0691	1	18	Piston Pin	46-0698	3	34	Unloader	8-0533	1
3	Oil Seal	26-0188	1	19	Plunger Rod	46-0699	3	35	Lockwasher	29-0154	8
4	O-ring	25-0380	2	20	Washer	46-0700	3	36	Screw	27-8440	8
5	Bearing	48-0072	2	21	Back Ring	25-0404	3	37	Manifold	46-1186	1
6	Crankshaft	46-1103	1	22	O-ring	25-0382	3	38	Support Ring (See 70-0178)	N/A Sep.	3
7	Key	43-0091	1	23	Piston	46-0701	3	39	V-Packing (See 70-0177)	N/A Sep.	3
8	Plug	39-0086	1	24	Washer / Gasket	26-0191	3	40	Packing Retainer	46-0708	3
9	O-ring	25-0325	1	25	Nut	30-6020	3	41	Low Pressure Seal (See 70-0177)	N/A Sep.	3
10	Screw	27-8885	6	26	Oil Dipstick	39-0090	1	42	O-ring	25-0384	3
11	Pump	46-0719	1	27	Pump Crankcase	46-1198	1	43	Oil Seal	46-0931	3
12	O-ring	25-0370	1	28	Shim - 0.2mm (Qty. vaires 1-3)	46-0705	1		High Pressure Seals Kit (Inc. 3 each 39, 41, 42)	70-0177	
13	Oil Sight Glass	46-0670	1	29	Shim - 0.1mm (Qty. vaires 1-3)	46-0704	1		Support Ring Kit (Inc. 3 each 38)	70-0178	
14	Oil Reflector	46-0824	1	30	Bearing Cap	46-0703	1		Valve Kit (Inc. 6 each 33)	70-0319	
15	Spring Retainer	46-0671	1	31	Valve Cap	39-0095	6		Oil Seals Kit (Inc. 3, 4, 16, 43)	70-0321	
16	O-ring	25-0398	1	32	O-ring	25-0160	6		Piston Kit (Inc. 3 each 20-25)	70-0352	

# UNLOADER ASSEMBLY (8-0533)

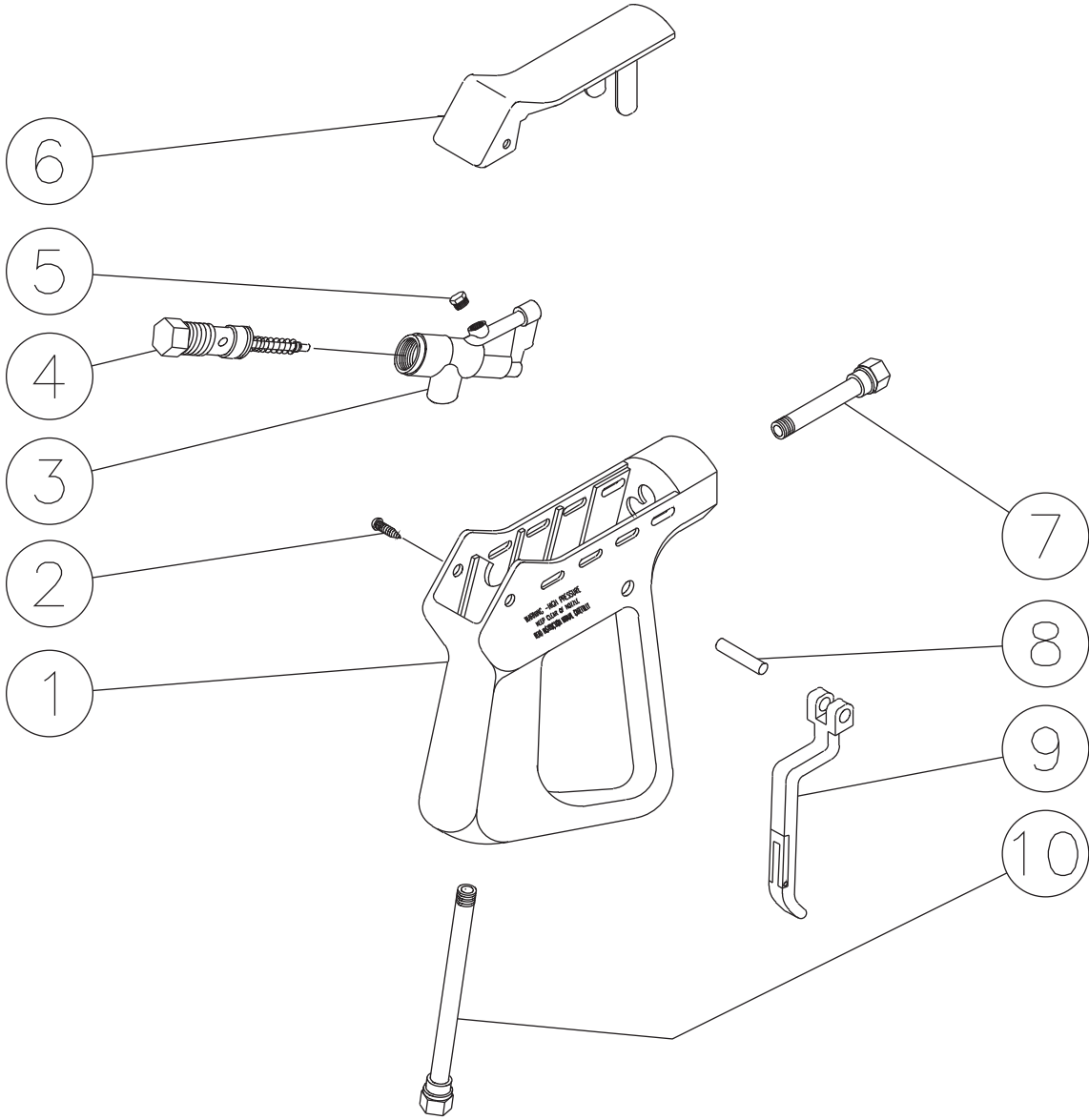




## UNLOADER ASSEMBLY (8-0533)

REF. #	DESCRIPTION	PART #	QTY.	REF. #	DESCRIPTION	PART #	QTY.
1	Unloader Cap	7-0142	1	17	Seat	8-0529	1
2	Screw	27-8433	1	18	O-ring	25-0527	1
3	Nut	30-3025	1	19	Bolt	8-0531	1
4	Unloader Knob	7-0141	1	20	O-ring	25-0388	2
5	Unloader	8-0476	1	21	Unloader Body	8-0530	1
6	Unloader Pin	8-0478	1	22	O-ring	25-0437	1
7	Spring Guide	8-0523	1	23	O-ring	25-0519	1
8	Upper Plate	8-0524	1	24	Bolt	25-0372	1
9	Unloader Spring	49-0132	1	25	Unloader Check Valve Spring	49-0123	1
10	Lower Plate	8-0525	1	26	Unloader Check Valve	8-0454	1
11	Piston	8-0526	1	27	O-ring	25-0528	1
12	O-ring	25-0526	2	28	O-ring	25-0519	1
13	Piston Guide	8-0527	1	29	Bypass Housing	8-0532	1
14	O-ring	25-0510	1	30	O-ring	25-0389	1
15	O-ring	25-0407	1	31	Bolt	8-0517	1
16	Bypass Jet	8-0528	1		Unloader Repair Kit (Inc. 12, 14-15, 18, 20, 22, 24, 27, 28, 30)	70-0341	

# GUN ASSEMBLY (16-0001)



16-0001-110399-RD

<b>GUN ASSEMBLY (16-0001)</b>			
<b>REF. #</b>	<b>DESCRIPTION</b>	<b>PART #</b>	<b>QTY.</b>
1	Plastic Housing	16-0008	1
2	Screw	27-3230	2
3	Brass Housing	16-0012	1
4	Gun Repair Kit	70-0055	1
5	Brass Plug	39-0024	1
6	Plastic Cover	16-0009	1
7	Pipe Assembly	16-0013	1
8	Trigger Pin	16-0063	1
9	Trigger/Safety Lock-off	16-0010	1
10	Pipe Assembly- Inlet	16-0016	1
	Complete Gun Assembly	16-0001	1

