

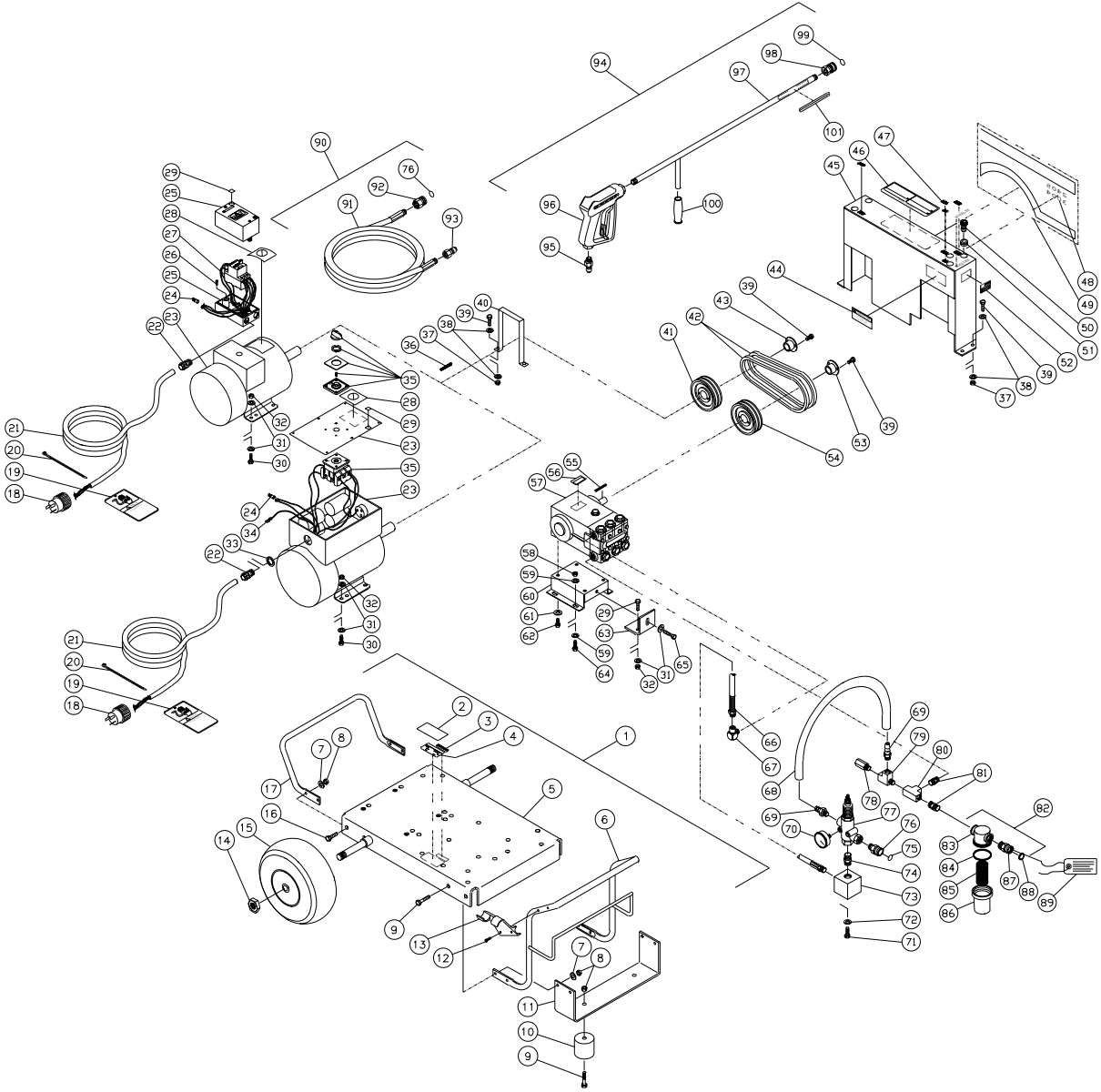
Mi-T-M[®] CORPORATION

8650 Enterprise Dr., Peosta IA 52068
319-556-7484 / Fax 319-556-1235

CW-2405/3004-0ME1/0ME3 PARTS LIST

CW-2405/3004-0ME1	1 phase/230 volts/32 amps max
CW-2405/3004-0ME3	3 phase/230 volts/20 amps max
CX-0003 Option	3 phase/480 volts/10 amps max
Pump Oil Grade:	Mi-T-M Pump Oil AW-4085-0016
Pump Oil Capacity:	40.6oz.
Nozzle Size For CW-2405:	6.0
Nozzle Size For CW-3004:	4.0

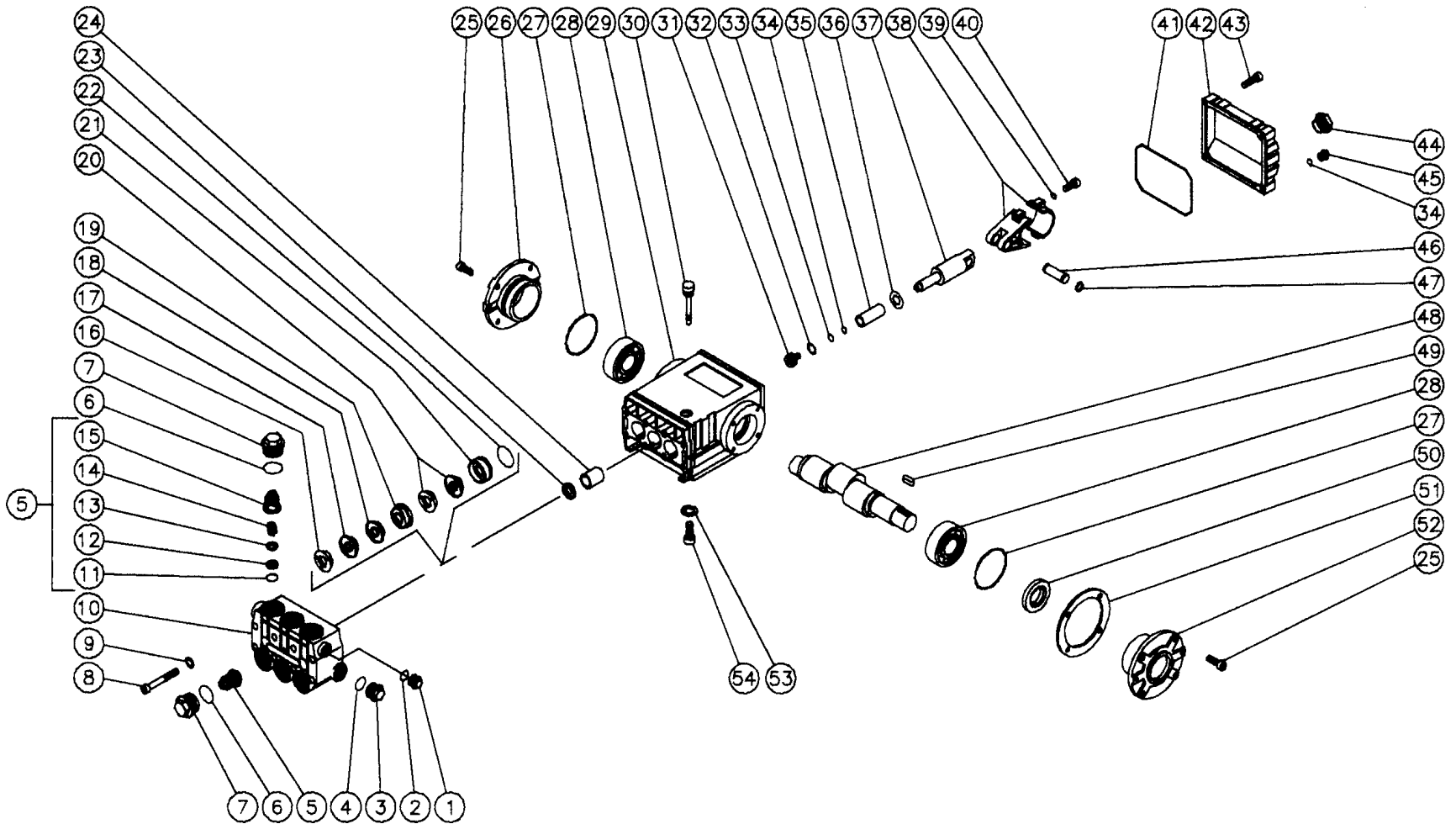
FRAME ASSEMBLY FOR CW-2405/3004-0ME1/0ME3



OMCWU120 / 090396JTR

FRAME ASSEMBLY FOR CW-2405/3004-0ME1/0ME3											
REF #	DESCRIPTION	PART #	QTY	REF #	DESCRIPTION	PART #	QTY	REF #	DESCRIPTION	PART #	QTY
1	Base Plate Assembly (5-17)	851-0187	1	34	Terminal	32-0034	1	64	Bolt	27-0166	4
2	Decal-Clear Laminate	34-0210	1	35	Switch - 1 Phase	32-0301	1	65	Bolt	27-0576	1
3	Decal-Cold Water Serial Number	N/A	1	36	Key - Motor	43-0078	1	66	Hose	15-0024	1
4	Decal-Silver Sticker	34-0075	1	37	Locknut	30-0155	6	67	Elbow	24-0105	1
5	Base Plate	5-0089	1	38	Washer	28-0002	12	68	By-Pass Hose	15-0035	1
6	Handle - Front	7-0102	1	39	Bolt	27-0015	6	69	Hose Barb	23-0007	2
7	Washer	28-0003	8	40	Finger Guard	6-0054	1	70	Pressure Guage	22-0107	1
8	Locknut	30-0157	10	41	Sheave - Motor (CW-2405)	10-0041	1	71	Bolt	27-0116	2
9	Bolt	27-0068	6	--	Sheave - Motor (CW-3004)	10-0025	1	72	Washer	29-0008	2
10	Isolator	14-0008	2	42	Belt (CW-2405)	11-0017	2	73	Manifold Block	51-0012	1
11	Underbracket	13-0015	1	--	Belt (CW-3004)	11-0005	2	74	Hex Nipple	24-0031	1
12	Screw	27-3062	2	43	Bushing - Motor	9-0008	1	75	O-ring (Replacement)	25-0123	2
13	Wand Holder	62-0085	1	44	Decal-Caution: High Pressure Spray	34-0080	1	76	Quick Connect Socket	17-0029	1
14	Jamnut	30-0117	2	45	Beltguard (See 851-0280)	N/A Sep.	1	77	Unloader	8-0032	1
15	Wheel	14-0006	2	46	Decal-Caution/Warning/Operating	34-0362	1	78	Heat Dump Valve	22-0005	1
16	Bolt	27-0067	4	47	Decal-Nozzle	34-0500	1	79	Street Tee	23-0124	1
17	Handle - Rear	7-0105	1	48	Decal-White Die Cut (CW-2405)	34-0035	1	80	Tee	23-0043	1
18	Plug - 1 Phase (For 0ME1)	32-0012	1	--	Decal-White Die Cut (CW-3004)	34-0105	1	81	Hex Nipple	23-0012	2
--	Plug - 3 Phase (For 0ME3)	32-0037	1	49	Decal-Mi-T-M Stripe	34-0002	1	82	Strainer (83-88)	19-0057	1
--	Plug - 3 Phase (CX-0003)	32-0117	1	50	Spray Nozzle - 0006 (CW-2405)	18-0013	1	83	Strainer Cap	19-0058	1
19	Tag-Risk of Electrocution	34-0330	1	--	Spray Nozzle - 1506 (CW-2405)	18-0014	1	84	Strainer Gasket	26-0160	1
20	Cable Tie	33-0022	1	--	Spray Nozzle - 2506 (CW-2405)	18-0043	1	85	Stainles Steel Screen	19-0059	1
21	Cord - 1 Phase (10')* (For 0ME1)	32-0021	1	--	Spray Nozzle - 4006 (CW-2405)	18-0044	1	86	Strainer Bowl	19-0060	1
--	Cord - 3 Phase (10')* (For 0ME3)	32-0023	1	50	Spray Nozzle - 0004 (CW-3004)	18-0028	1	87	Garden Hose Swivel	23-0095	1
--	Cord - 3 Phase (10')* (CX-0003)	32-0025	1	--	Spray Nozzle - 1504 (CW-3004)	18-0029	1	88	Garden Hose Gasket	26-0001	1
22	Cord Strain Relief (For 0ME1)	32-0040	1	--	Spray Nozzle - 2504 (CW-3004)	18-0030	1	89	Tag - Water Supply Inlet	34-0097	1
--	Cord Strain Relief (For 0ME3)	32-0013	1	--	Spray Nozzle - 4004 (CW-3004)	18-0031	1	90	Pressure Hose Assy. (91-93)	851-0007	1
23	Motor - 7.5 H.P. - 1 Phase (For 0ME1)	2-0013	1	51	Grommet	33-0001	5	91	Pressure Hose	15-0003	1
--	Motor - 7.5 H.P. - 3 Phase (For 0ME3)	2-0016	1	52	Decal-American Flag	34-0521	1	92	Quick Connect Socket	17-0004	1
24	Crimped Wire Splice	32-0359	1	53	Bushing - Pump	9-0017	1	93	Quick Connect Plug	17-0006	1
25	Starter Enclosure (For 0ME3)	32-0293	1	54	Sheave - Pump	10-0035	1	94	Gun/Wand Assy. (95-98, 100)	851-0095	1
26	Screw (For 0ME3)	27-3048	1	55	Key - Pump	43-0028	1	95	Quick Connect Plug	17-0005	1
27	Starter - 3 Phase (240V) (For 0ME3)	32-0298	1	56	Decal - Pump	34-0396	1	96	Gun	16-0001	1
--	Starter - 3 Phase (CX-0003) (480V)	32-0297	1	57	Pump	3-0079	1	97	Wand	16-0120	1
28	Decal-Do Not Spay	34-0391	1	58	Locknut	30-0161	4	98	Quick Connect Socket	17-0001	1
29	Decal-Void if Removed	34-0085	1	59	Washer	28-0030	8	99	O-ring (replacement)	25-0122	2
30	Bolt	27-0118	6	60	Pump Bracket	5-0101	1	100	Grip Handle	7-0002	1
31	Washer	28-0023	11	61	Washer	29-0054	4	101	Decal-Warning: Risk of Injection	34-0572	1
32	Locknut	30-0159	6	62	Bolt	27-8042	4		Beltguard Assy. (Inc. 44-47, 51, 52)	851-0280	
33	Locknut	32-0107	1	63	Brace Tightener	13-0003	1		*Must order in one foot lengths		

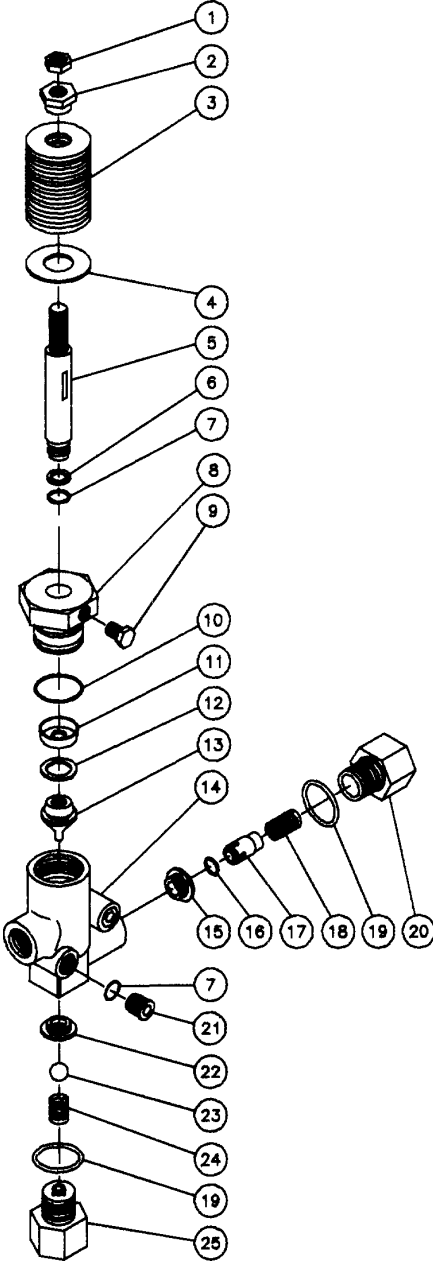
PUMP ASSEMBLY (3-0079)



OMPMP020 / 022796JTR

PUMP ASSEMBLY (3-0079)								
REF. #	DESCRIPTION	PART #	QTY.		REF. #	DESCRIPTION	PART #	QTY.
1	Hex Plug	39-0018	1		30	Oil Dipstick	46-0144	1
2	Washer	28-0600	1		31	Piston Bolt	46-0069	3
3	Hex Plug	39-0019	1		32	Washer	28-0400	3
4	Washer	28-0601	1		33	O-ring	25-0014	4
5	Valve Assy. (11-15) (See 70-0009)	N/A	6		34	Back-up Ring	46-0109	3
6	O-ring	25-0012	6		35	Plunger	46-0052	3
7	Valve Plug	39-0020	6		36	Flinger Washer	46-0146	3
8	Bolt	27-8185	8		37	Piston Rod	46-0054	3
9	Lockwasher	28-0210	8		38	Connecting Rod	46-0051	3
10	Pump Manifold - Brass 20mm	46-0060	1		39	Lockwasher	29-0154	6
11	O-ring (See 70-0009)	N/A Sep.	6		40	Bolt	27-8435	6
12	Valve Seat (See 70-0009)	N/A Sep.	6		41	O-ring Cover -Old Style	25-0079	1
13	Valve Plate (See 70-0009)	N/A Sep.	6		--	O-ring Cover - New Style	25-0339	1
14	Valve Spring (See 70-0009)	N/A Sep.	6		42	Crankcase Cover - Old Style	46-0065	1
15	Valve Cage (See 70-0009)	N/A Sep.	6		--	Crankcase Cover - New Style	46-0295	1
16	Head Ring (See 852-0122)	N/A Sep.	6		43	Bolt	27-8404	5
17	Head Ring (See 852-0122)	N/A Sep.	6		44	Oil Level Indicator	46-0114	1
18	Stop Ring Packing (See 852-0122)	N/A Sep.	6		45	Hex Plug	39-0017	1
19	Intermediate Ring	46-0659	3		46	Connecting Rod Pin	43-0032	3
20	Seal (See 852-0122)	N/A Sep.	3		47	Retaining ring	46-0103	6
21	Seal Retainer	46-0057	3		48	Crankshaft	46-0050	1
22	O-ring	25-0015	3		49	Key	43-0048	1
23	Oil Seal	26-0047	3		50	Oil Seal	26-0049	1
24	Bushing	9-0029	3		51	Shim	46-0113	2
25	Bolt	27-8431	8		52	Crankcase Cover-Open	46-0296	1
26	Crankcase Cover-Closed	46-0336	1		53	Lockwasher	29-0055	4
27	O-ring	25-0013	2		54	Bolt	27-8471	4
28	Roller Bearing	48-0012	2			Valve Kit (6 each of 11-15)	70-0009	
29	Crankcase	46-0047	1			Packing Kit (3 each of 16, 17, 18, 20, 22)	852-0122	

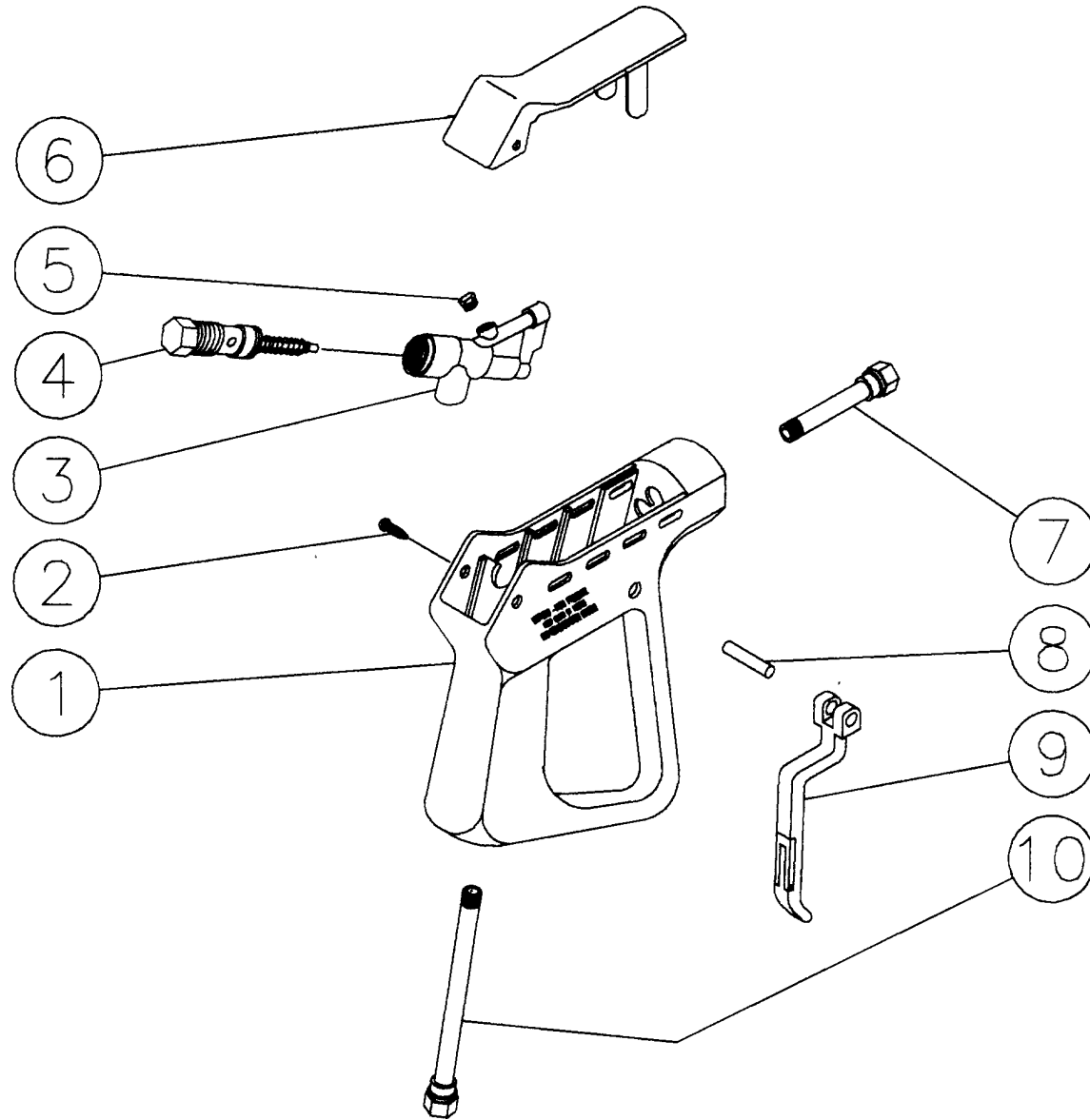
UNLOADER ASSEMBLY (8-0032)



OMGEN074 / 083094BAR

UNLOADER ASSEMBLY (8-0032)			
REF.#	DESCRIPTION	PART #	QTY.
1	Locknut	30-3058	1
2	Adjusting Nut	8-0089	1
3	Spring Washers	8-0009	15
4	Washer	28-0250	1
5	Valve Stem	8-0037	1
6	Back-up Ring	8-0038	1
7	O-ring	25-0009	5
8	Valve Cap	8-0036	1
9	Set Screw	8-0084	1
10	O-ring	25-0008	1
11	Cup	8-0034	1
12	Back-up Ring	8-0040	1
13	Piston	8-0039	1
14	Valve Body	8-0164	1
15	Outlet Seat	8-0006	1
16	O-ring	25-0011	1
17	Outlet Valve	8-0004	1
18	Spring	49-0016	1
19	O-ring	25-0010	2
20	Outlet Retainer	8-0003	1
21	Brass Plug	8-0011	4
22	Valve Seat	8-0005	1
23	Brass Ball	8-0041	1
24	Spring	49-0015	1
25	Inlet Retainer	8-0165	1
	Unloader Repair Kit (Inc. 6, 7, 10-12, 16 and 19)	70-0044	

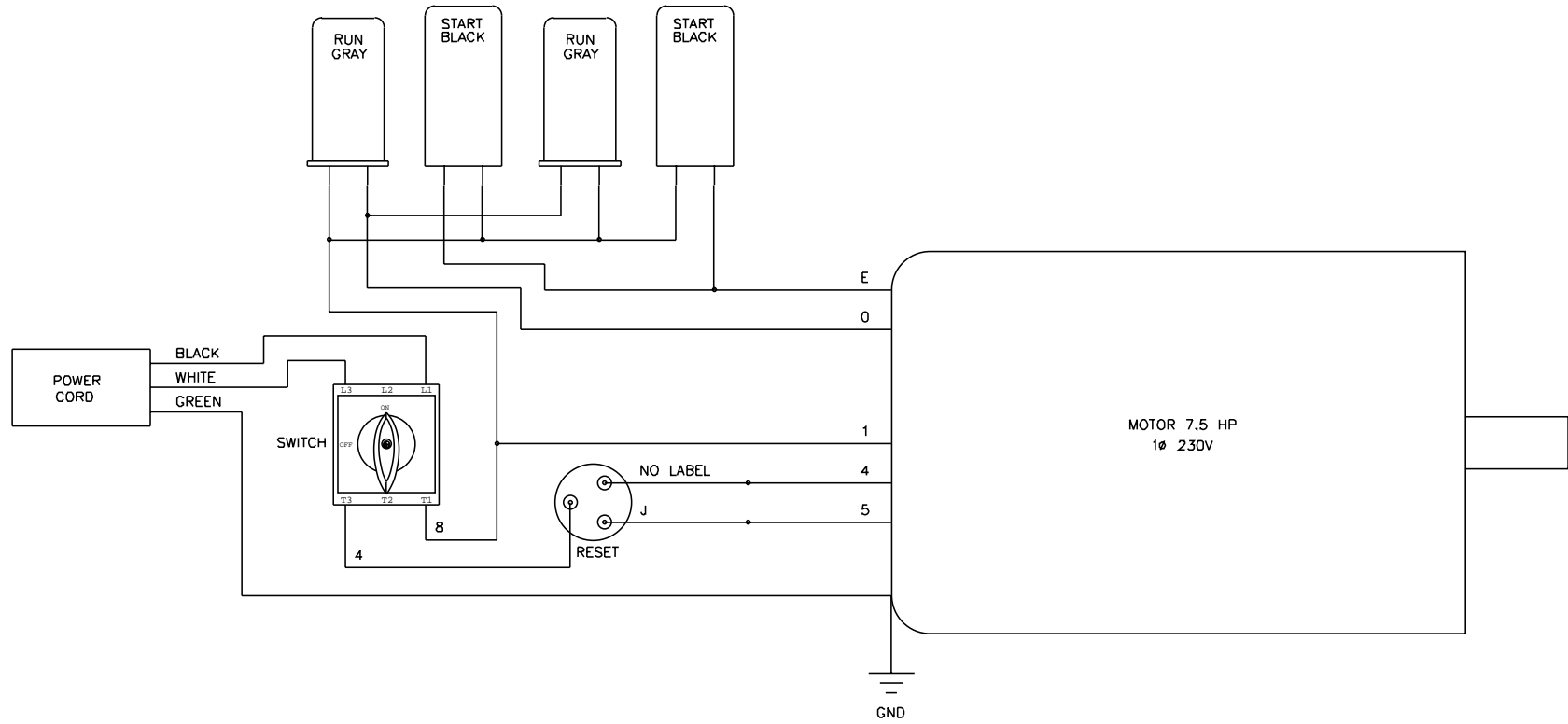
GUN ASSEMBLY (16-0001)



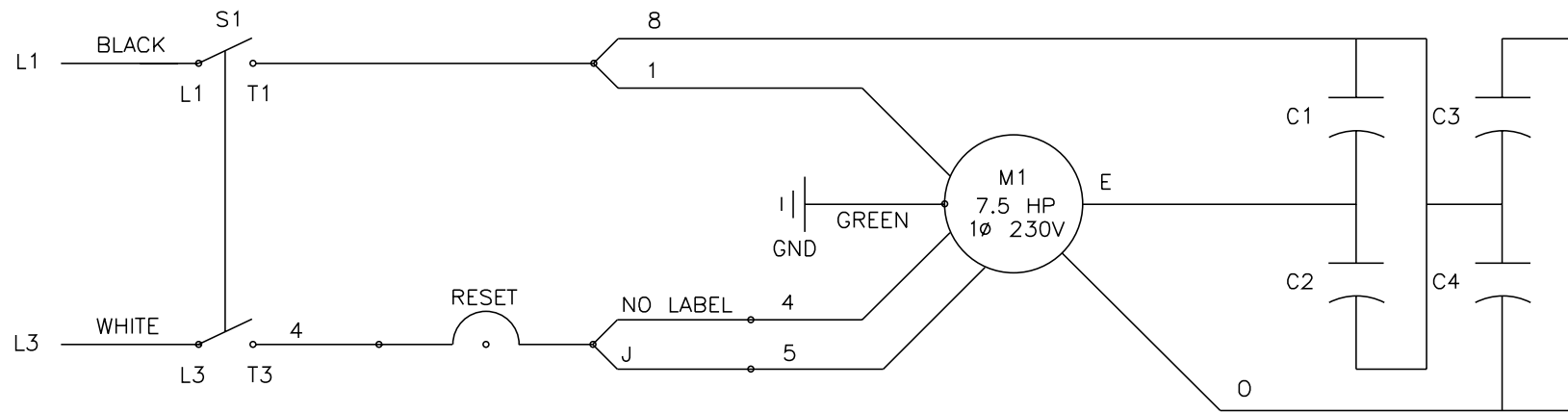
OMGEN013 / 080294BAR

GUN ASSEMBLY (16-0001)			
Ref. #	Description	Part #	Qty.
1	Plastic Housing	16-0008	1
2	Screw	27-3230	2
3	Brass Housing	16-0012	1
4	Gun Repair Kit	70-0055	1
5	Brass Plug	39-0024	1
6	Plastic Cover	16-0009	1
7	Pipe Assembly	16-0013	1
8	Trigger Pin	16-0063	1
9	Trigger Safety Lock-off	16-0010	1
10	Pipe Assembly-Inlet	16-0016	1
	Gun Assembly Complete	16-0001	1

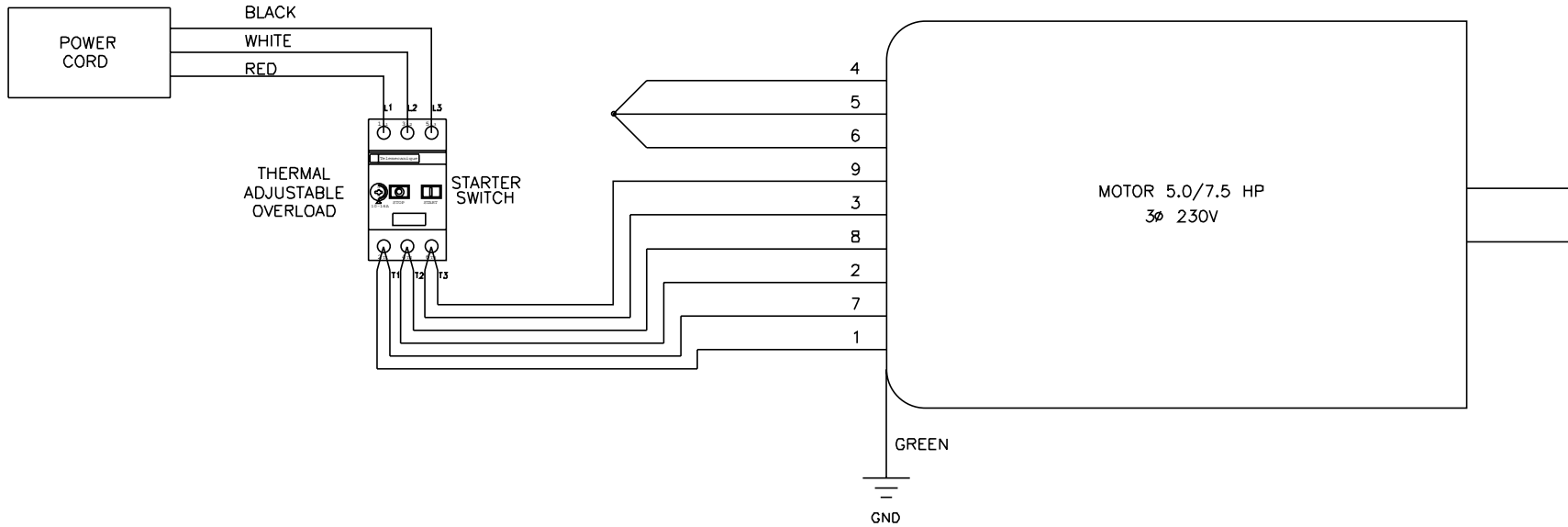
WIRING DIAGRAM FOR CW-2405/3004-0ME1



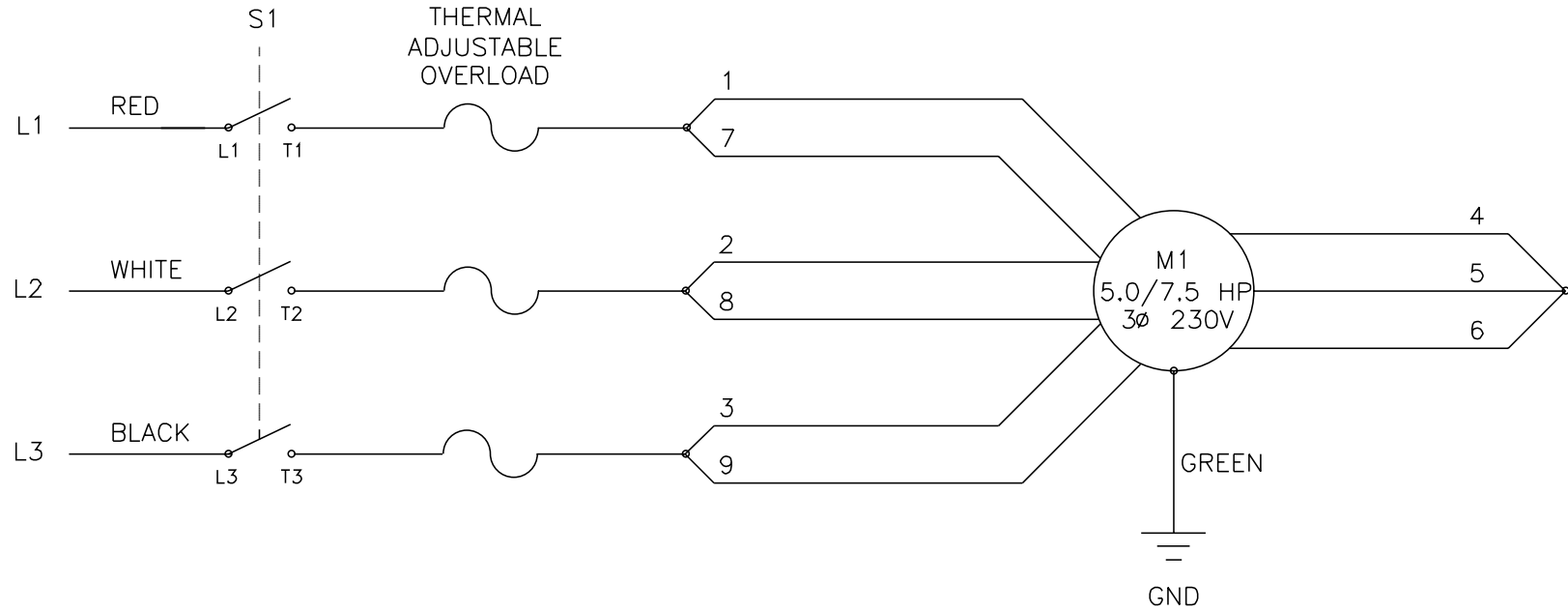
SCHEMATIC FOR CW-2405/3004-0ME1



WIRING DIAGRAM FOR CW-2405/3004-0ME3 (230V)

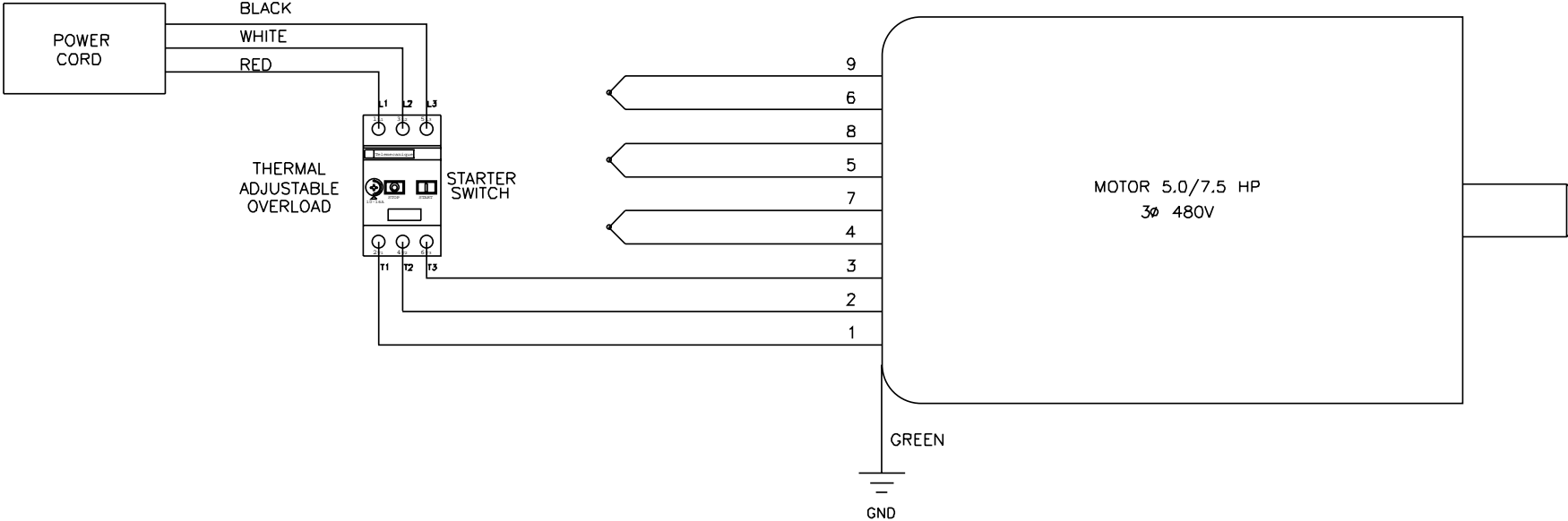


SCHEMATIC FOR CW-2405/3004-0ME3 (230V)



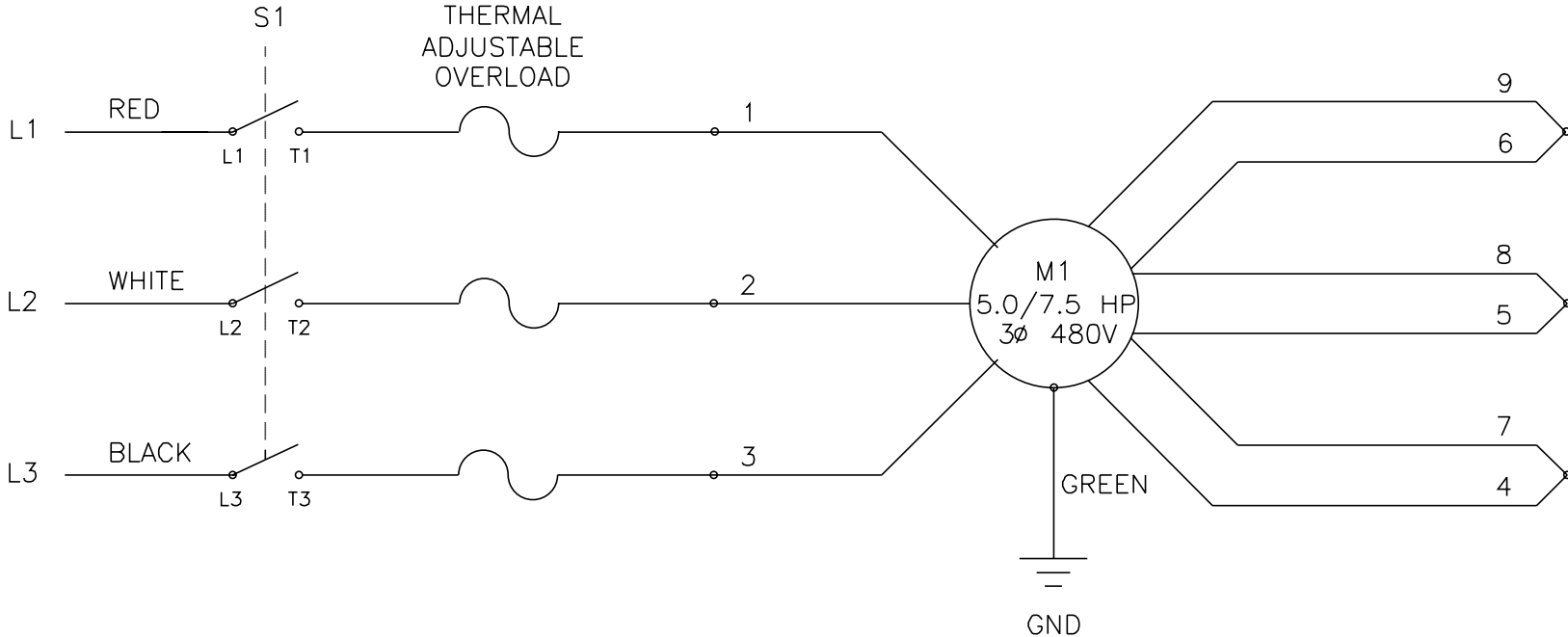
PDCW0108 / 063095DCE

WIRING DIAGRAM FOR CW-2405/3004-0ME3 (480V) CX-0003 OPTION



PDCW0109 / 063095DCE

SCHEMATIC FOR CW-2405/3004-0ME1 (480V) CX-0003 OPTION



PDCW0109 / 063095DCE

